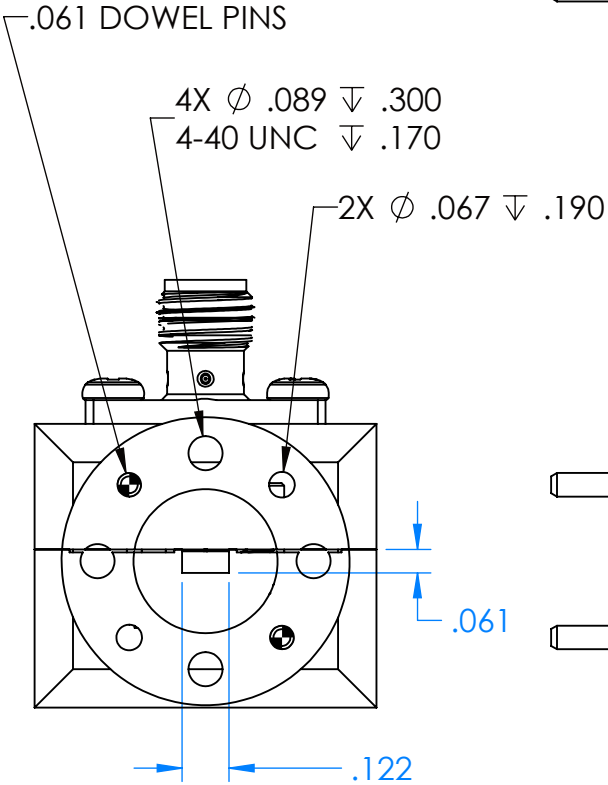
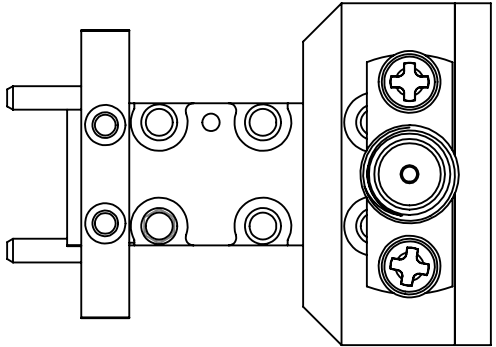
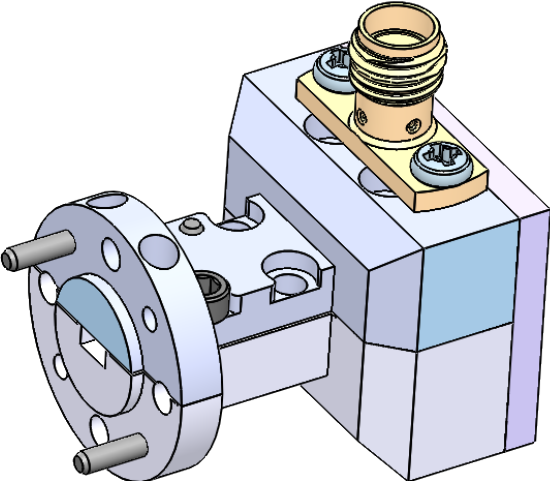
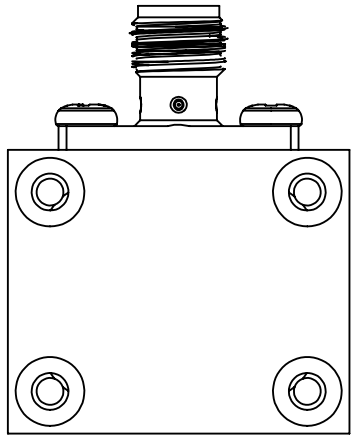
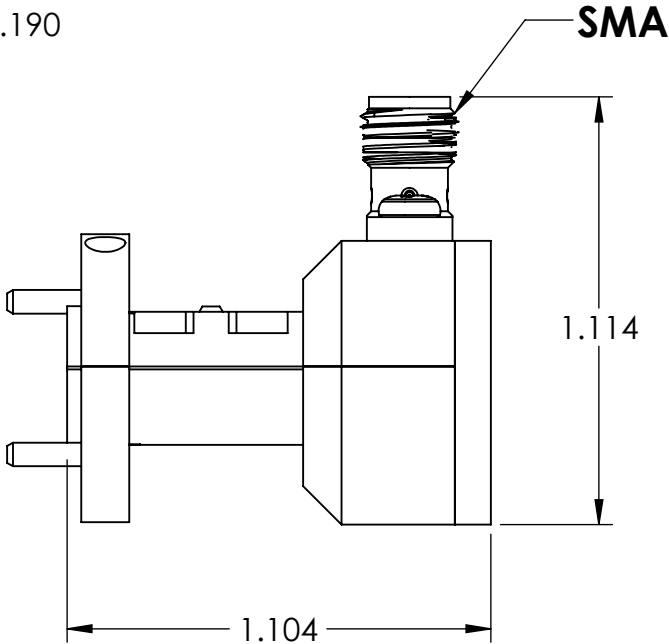


REVISIONS			
REV	DESCRIPTION	DATE	APPROVED
-	-	-	-



UG-387



**ALL DIMENSIONS
ARE REFERENCE ONLY**

DECIMALS: XXXX \pm .0005 XXX \pm .005 XX \pm .01	ANGLES: \pm .5 DEGREE	THIRD ANGLE PROJECTION	MATL: 1/2 HARD BRASS
DRAWN: JV	CHECKED: MS	ENG: LS	MATL: 1/2 HARD BRASS
NAME: JV	DATE: 8-14-19	DATE: 8-14-19	DATE: 8-14-19

TITLE: Mi-Wave Millimeter Products Inc.		REV: -
SIZE: A	DWG. NO.: 920E-387_SMA_OUTLINE_25481	REV: -
SCALE: 2:1	WEIGHT:	SHEET 1 OF 1