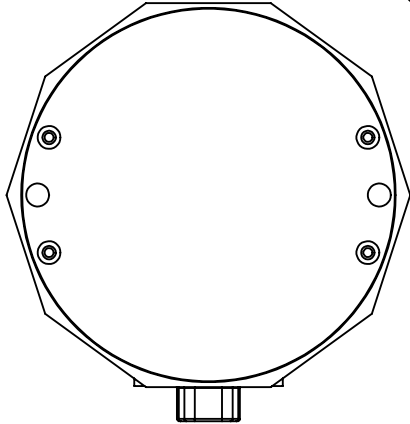
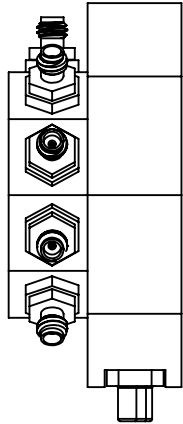
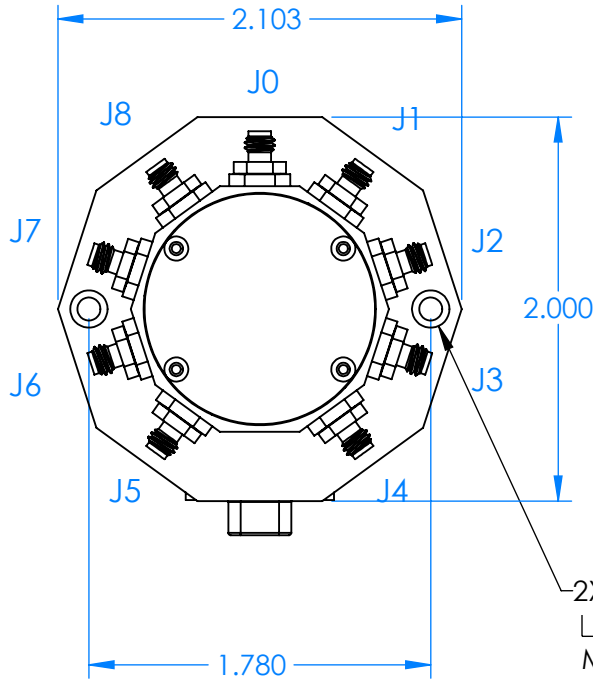
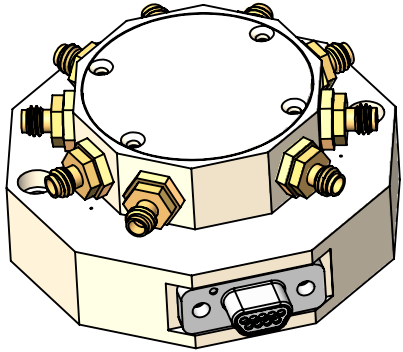
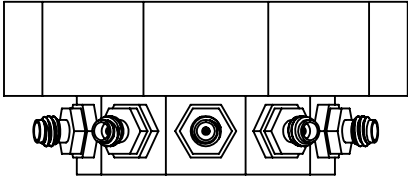
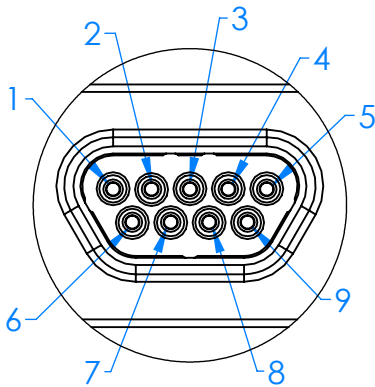
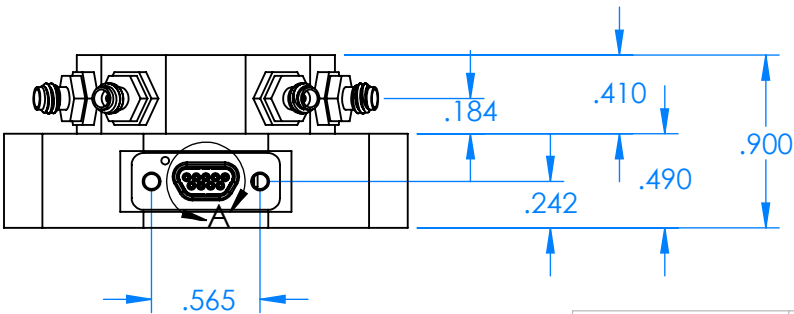


REVISIONS			
REV	DESCRIPTION	DATE	APPROVED
--	--	--	--



-2X ϕ .120 THRU ALL
 \square ϕ .195 ∇ .114
 MOUNTING HOLES



DETAIL A
 SCALE 4:1

1	ENABLE	BLACK
2	GROUND	BROWN
3	TTL1	RED
4	TTL2	ORANGE
5	TTL3	YELLOW
6	+6V	GREEN
7	+6V	BLUE
8	GROUND	VIOLET
9	GROUND	GRAY

DECIMALS: XXXX \pm .0005
 XXX \pm .005
 XX \pm .01
 ANGLES: \pm .5 DEGREE

THIRD ANGLE
 PROJECTION



	NAME	DATE
DRAWN	JV	5-11-20
CHECKED	MS	5-11-20
ENG	LS	5-11-20

MATL:
6061 T6 ALUMINUM

TITLE:

Mi-Wave Millimeter Products Inc.

SIZE DWG. NO.

A

918EF_1mm_OUTLINE_25257

REV

SCALE: 1:1

WEIGHT:

SHEET 1 OF 1