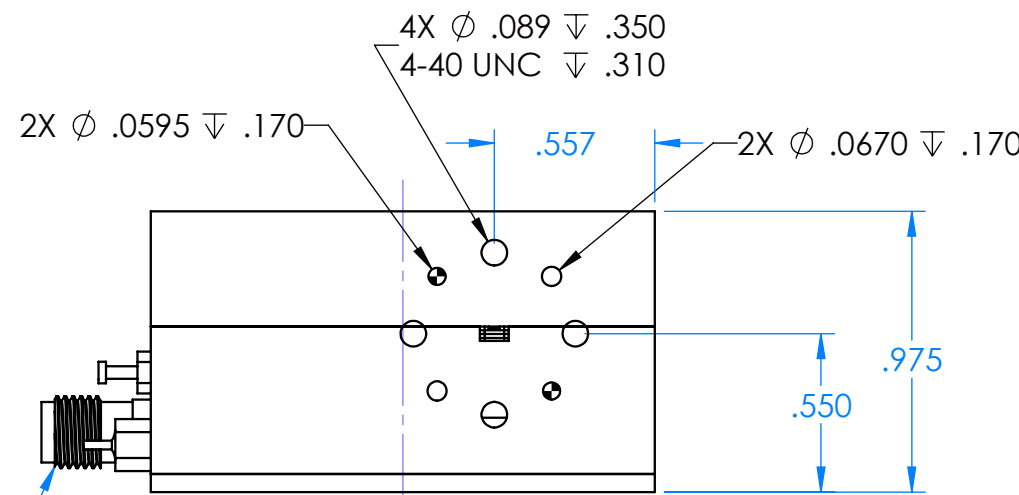
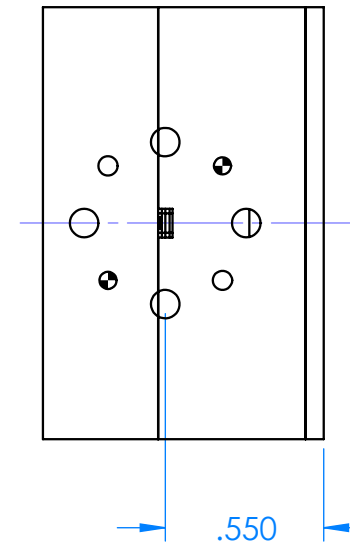
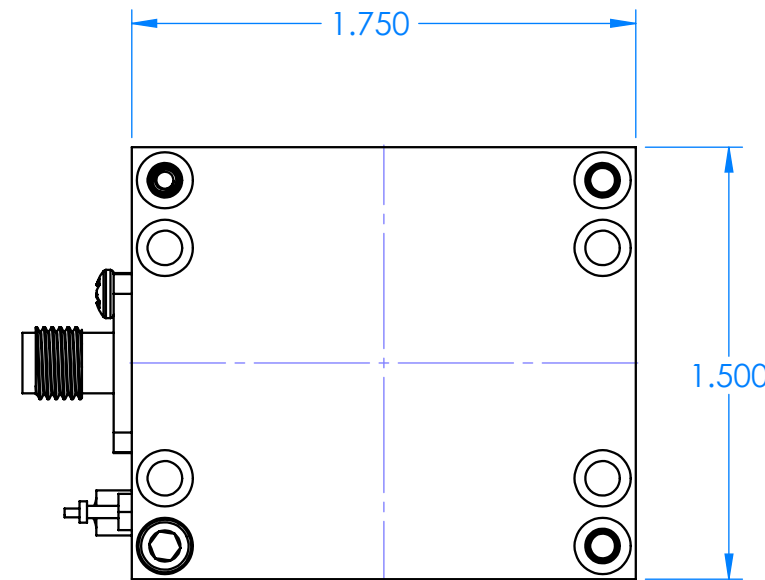
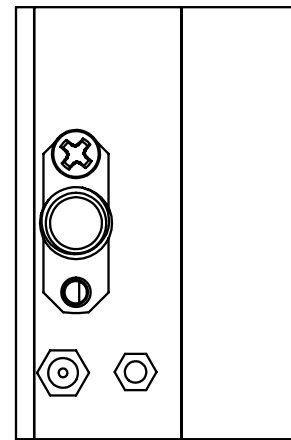
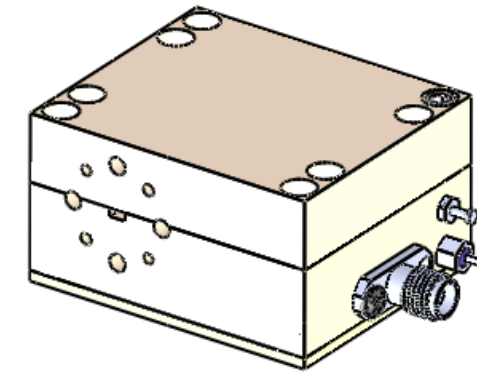
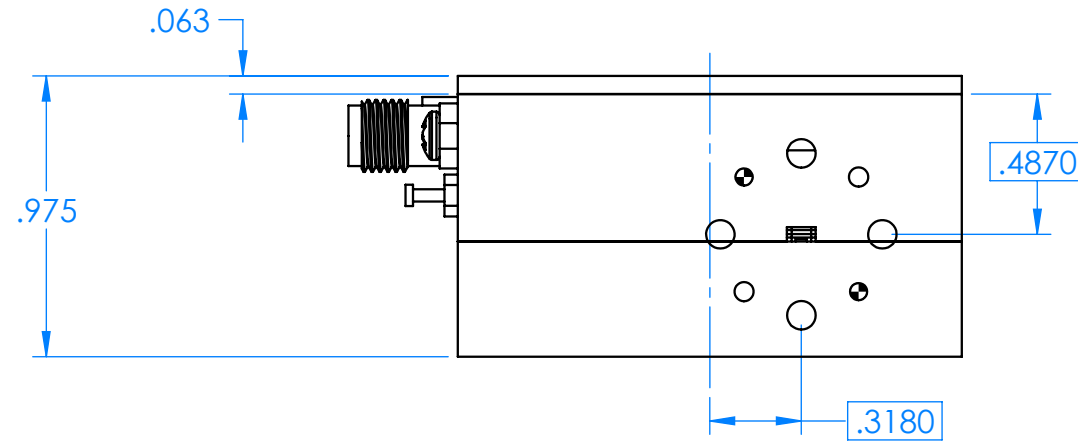


REVISIONS

REV	DESCRIPTION	DATE	APPROVED
-	-	-	-



SMA-F-JACK
MOLEX-PN 73251-0250

DECIMALS: XXXX ±.0005 XXX ±.005 XX ±.01	DRAWN: JV 4-10-19	NAME: _____	DATE: 4-10-19
ANGLES: ±.5 DEGREE	CHECKED: LS 4-10-19	ENG: LS 4-10-19	
THIRD ANGLE PROJECTION	MATERIAL: _____		

TITLE: Millimeter Wave Products Inc.		REV: -
SIZE: B	DWG. NO.: 912W_SPDT INLINE_OUTLINE	
SCALE: 3:2	WEIGHT:	SHEET 1 OF 1