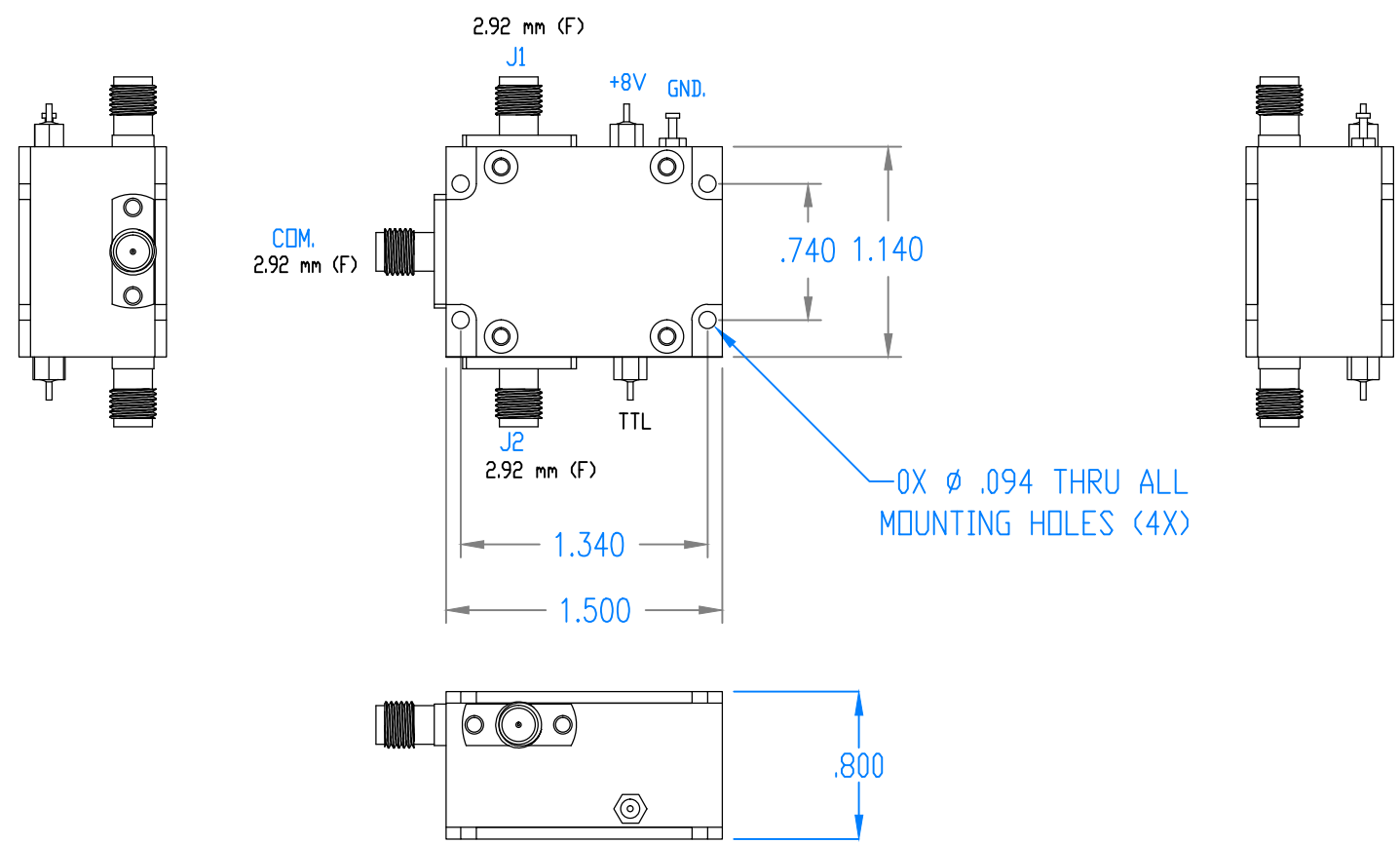
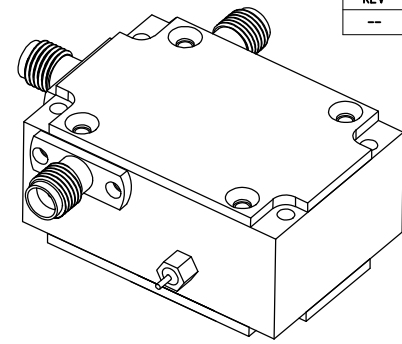


REVISIONS			
REV	DESCRIPTION	DATE	APPROVED
--	--	--	--



ALL DIMENSIONS REF ONLY

DECIMALS: XXXX ±.0005 XXX ±.005 XX ±.01	ANGLES: ±.5 DEGREE	THIRD ANGLE PROJECTION	<table border="1"> <tr> <td>NAME</td> <td>DATE</td> <td>TITLE:</td> <td rowspan="3">Mi-Wave Millimeter Products Inc.</td> <td rowspan="3">REV</td> </tr> <tr> <td>DRAWN JV</td> <td>1-18-18</td> <td>SIZE DWG. NO.</td> </tr> <tr> <td>CHECKED MS</td> <td>1-18-18</td> <td>912AF-KF_OUTLINE_23844</td> </tr> <tr> <td>ENG LS</td> <td>1-18-18</td> <td></td> <td>SCALE: 1:1</td> <td>WEIGHT:</td> </tr> <tr> <td colspan="3">MATERIAL:</td> <td colspan="2">SHEET 1 OF 1</td> </tr> </table>	NAME	DATE	TITLE:	Mi-Wave Millimeter Products Inc.	REV	DRAWN JV	1-18-18	SIZE DWG. NO.	CHECKED MS	1-18-18	912AF-KF_OUTLINE_23844	ENG LS	1-18-18		SCALE: 1:1	WEIGHT:	MATERIAL:			SHEET 1 OF 1	
NAME	DATE	TITLE:	Mi-Wave Millimeter Products Inc.	REV																				
DRAWN JV	1-18-18	SIZE DWG. NO.																						
CHECKED MS	1-18-18	912AF-KF_OUTLINE_23844																						
ENG LS	1-18-18		SCALE: 1:1	WEIGHT:																				
MATERIAL:			SHEET 1 OF 1																					