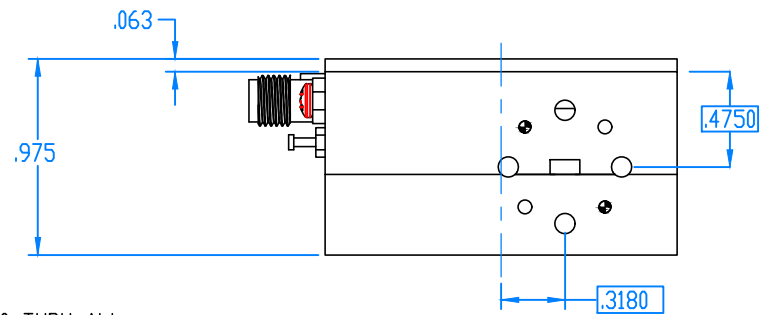
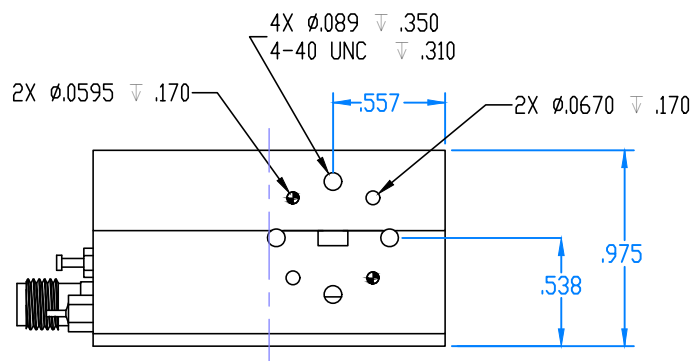
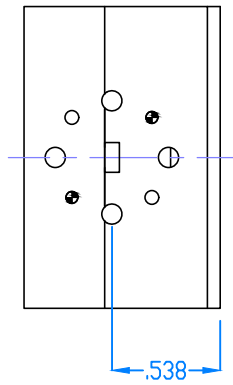
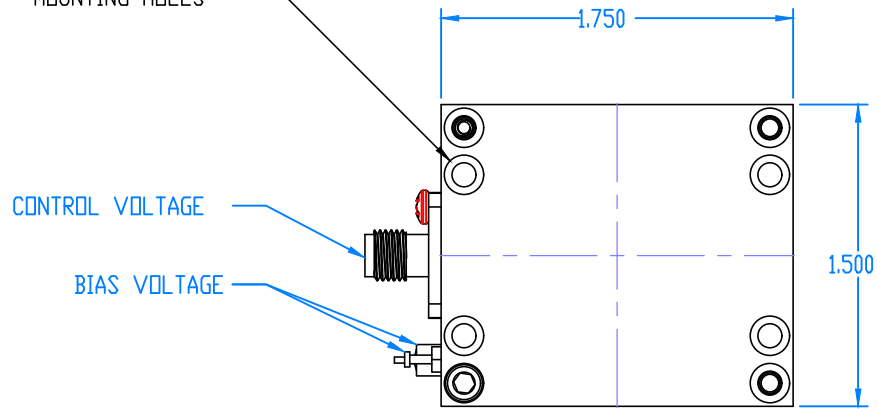
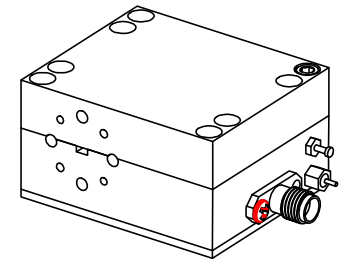


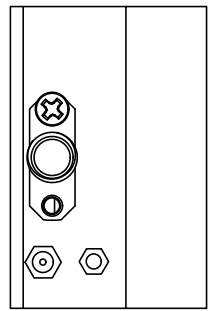
REVISIONS			
REV	DESCRIPTION	DATE	APPROVED
-	-	-	-



8X  $\phi$  .120 THRU ALL  
 $\square$   $\phi$  .195  $\nabla$  .116  
 MOUNTING HOLES



RECIPROCAL DEVICE



DECIMALS: XXXX $\pm$ .0005 XXX $\pm$ .005 XX $\pm$ .01	NAME: CC DATE: 10-22-21	TITLE: Millimeter Wave Products Inc.	REV: -
ANGLES: $\pm$ .5 DEGREE	CHECKED: LS ENG: LS	SIZE: B DWG. NO.: 900V_OUTLINE_26245	
THIRD ANGLE PROJECTION	MATL:	SCALE: 3:2	WEIGHT:
			SHEET 1 OF 1