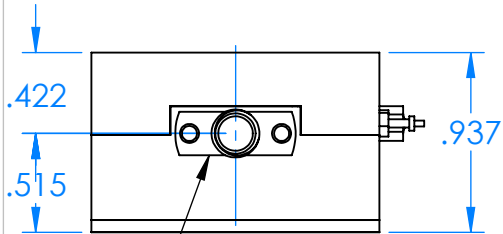
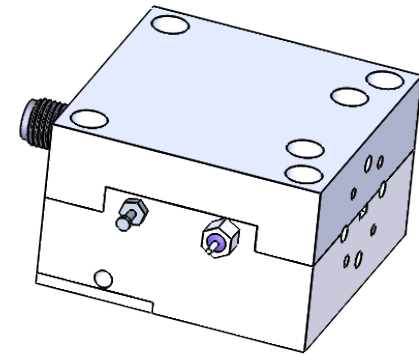
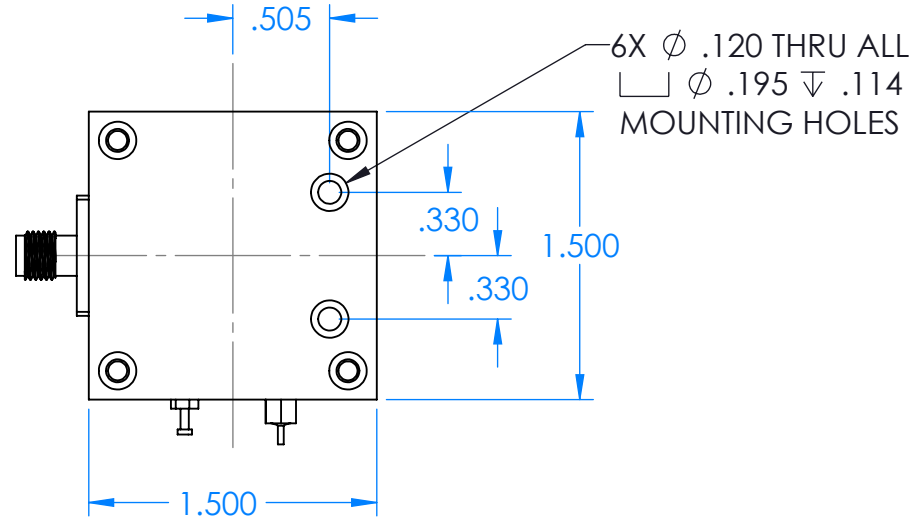
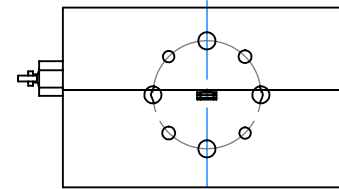
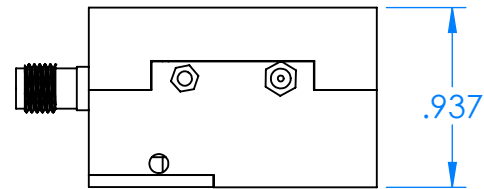


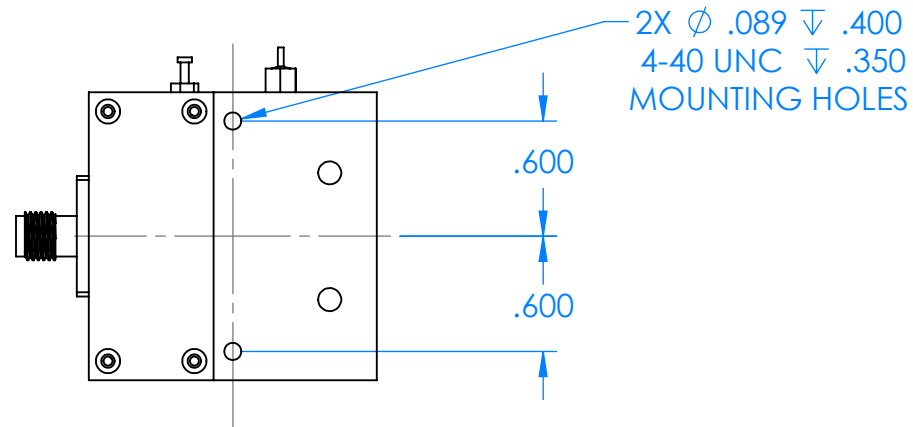
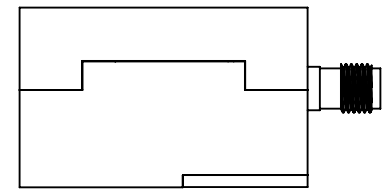
REVISIONS			
REV	DESCRIPTION	DATE	APPROVED
--	--	--	--



SMAF



UG-387



ALL DIMENSIONS ARE
 REFERENCE ONLY

DECIMALS: XXXX \pm .0005
 XXX \pm .005
 XX \pm .01
 ANGLES: \pm .5 DEGREE

THIRD ANGLE
 PROJECTION

	NAME	DATE
DRAWN	JV	3-22-19
CHECKED	LS	3-22-19
ENG	LS	3-22-19

MATL:

TITLE:

Millimeter Wave Products Inc.

SIZE DWG. NO.

A

830-840W-387_OUTLINE_25575

REV

SCALE: 1:1

WEIGHT:

SHEET 1 OF 1