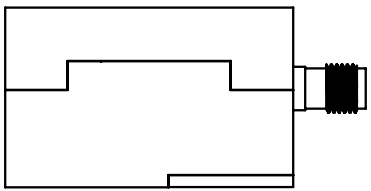
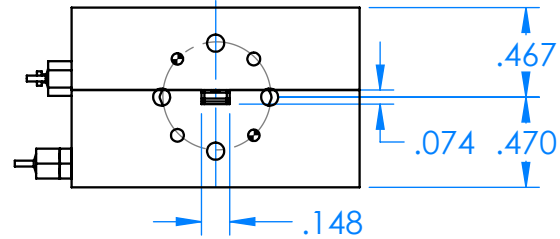
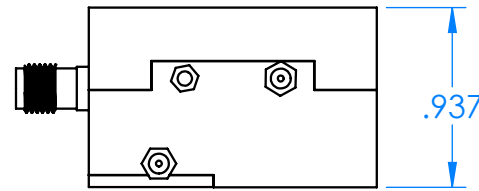
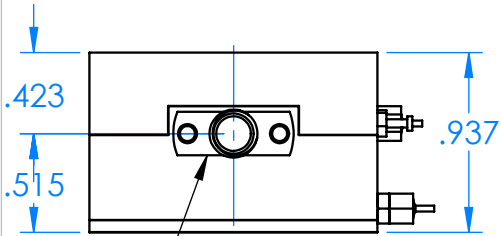
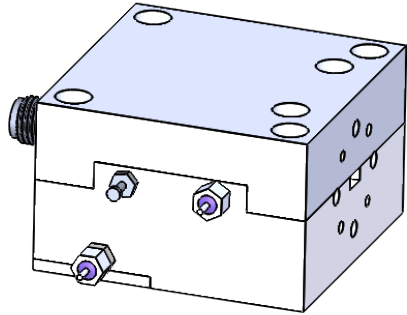
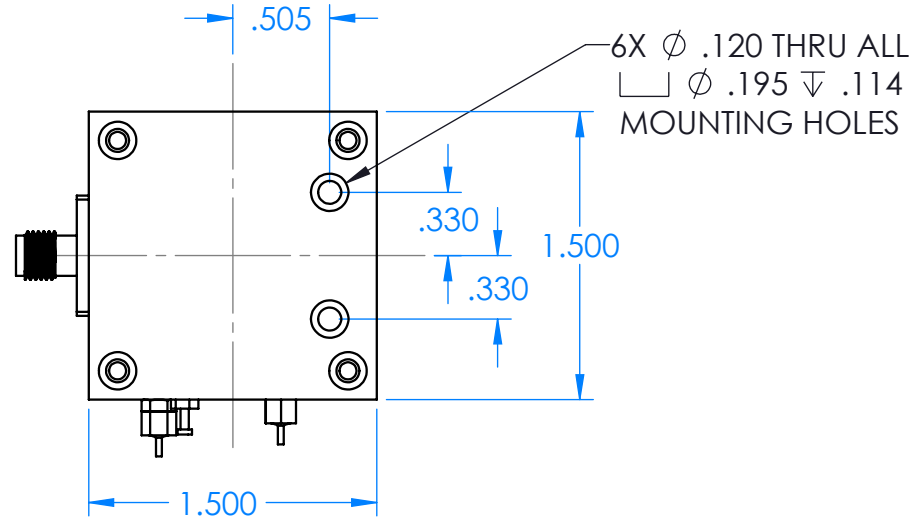
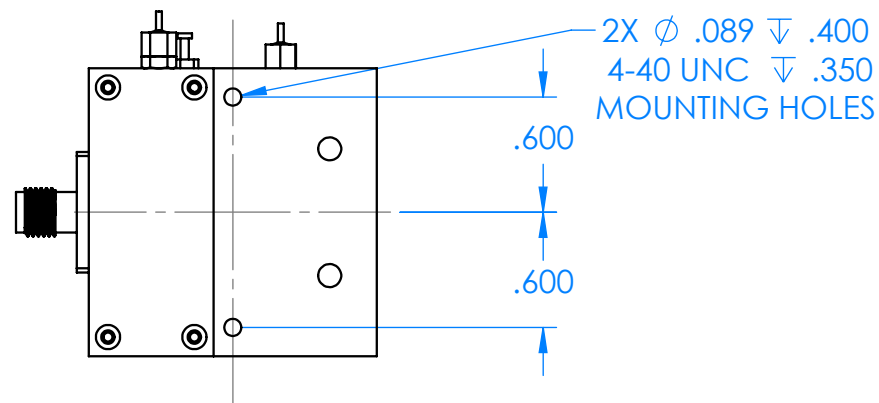


REVISIONS			
REV	DESCRIPTION	DATE	APPROVED
--	--	--	--



**UG-387**



SMAF

**ALL DIMENSIONS ARE  
 REFERENCE ONLY**

DECIMALS: XXXX  $\pm$ .0005  
 XXX  $\pm$ .005  
 XX  $\pm$ .01  
 ANGLES:  $\pm$  .5 DEGREE

THIRD ANGLE  
 PROJECTION

	NAME	DATE
DRAWN	JV	1-7-20
CHECKED	LS	1-7-20
ENG	LS	1-7-20

MATL:

TITLE:

Millimeter Wave Products Inc.

SIZE DWG. NO.

**A**

830-840V-385\_OUTLINE\_25574

REV

SCALE: 1:1

WEIGHT:

SHEET 1 OF 1