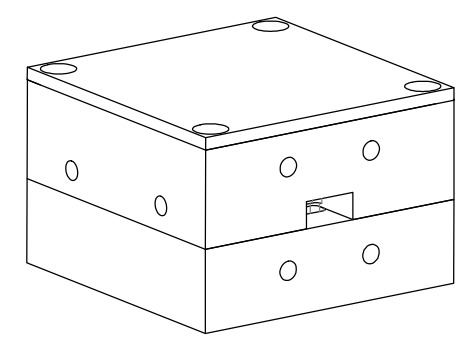
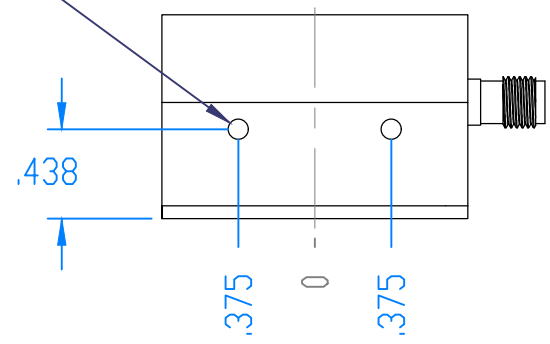
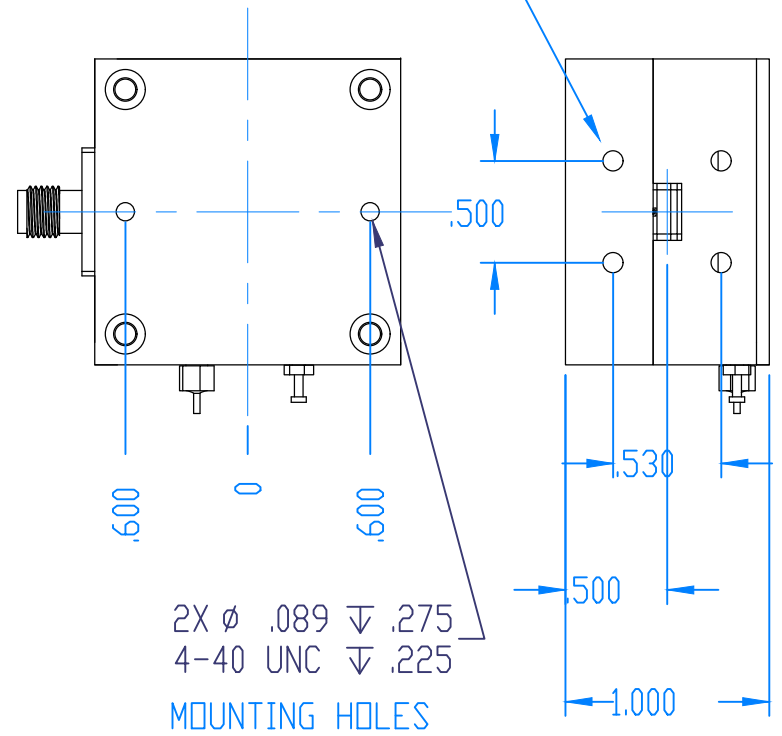


| REVISIONS | | | |
|-----------|-------------|------|----------|
| REV | DESCRIPTION | DATE | APPROVED |
| -- | -- | -- | -- |

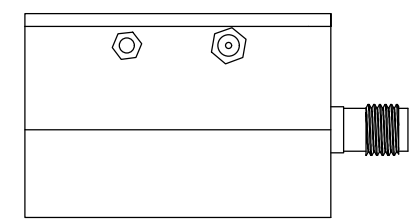
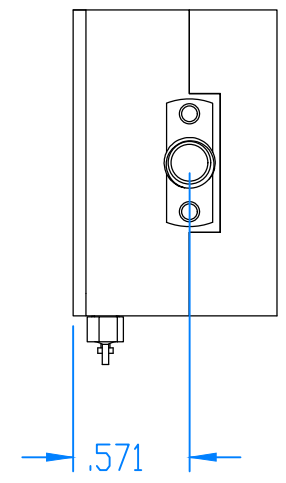
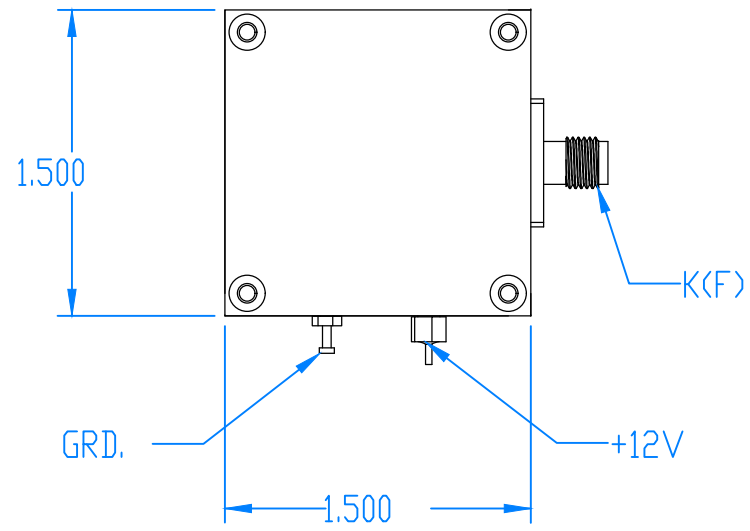
2X ϕ .099 ∇ .200
 4-40 UNC ∇ .180
 MOUNTING HOLES



WR-28
 UG-599
 FLANGE
 PATTERN



2X ϕ .089 ∇ .275
 4-40 UNC ∇ .225
 MOUNTING HOLES



| | | | |
|--|---------|------------------|----------|
| DECIMALS: XXXX \pm .0005 XXX \pm .005 XX \pm .01 | DRAWN | CC | 10-30-20 |
| ANGLES: \pm 5 DEGREE | CHECKED | MS | 10-30-20 |
| THIRD ANGLE PROJECTION | ENG | LS | 10-30-20 |
| | MATL: | 6061 T6 ALUMINUM | |

| | | | |
|------------|----------------------------------|--------------|--|
| TITLE: | Mi-Wave Millimeter Products Inc. | | |
| SIZE | DWG. NO. | REV | |
| A | 830-840A-599_OUTLINE_25569 | | |
| SCALE: 1:1 | WEIGHT: | SHEET 1 OF 1 | |