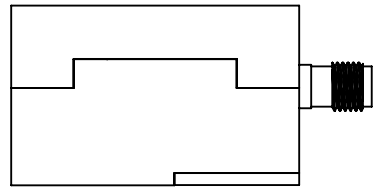
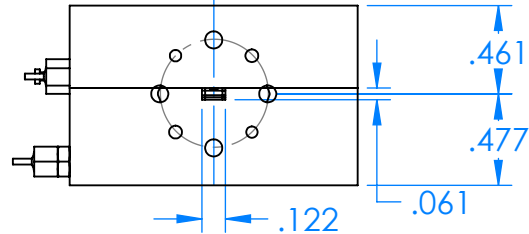
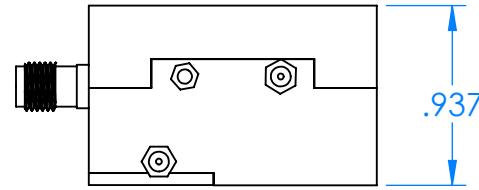
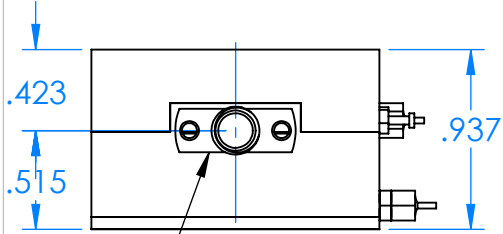
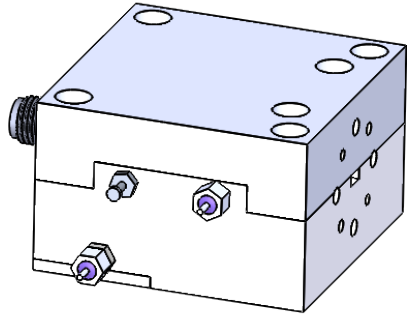
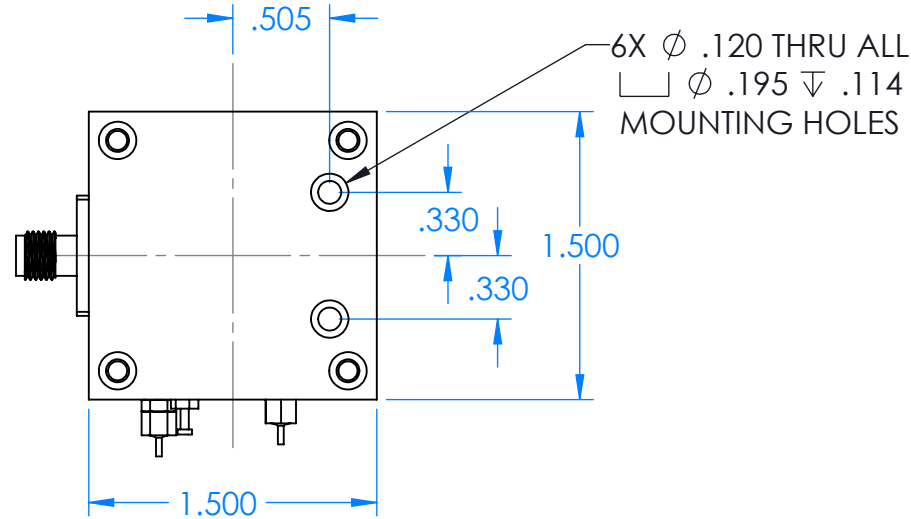
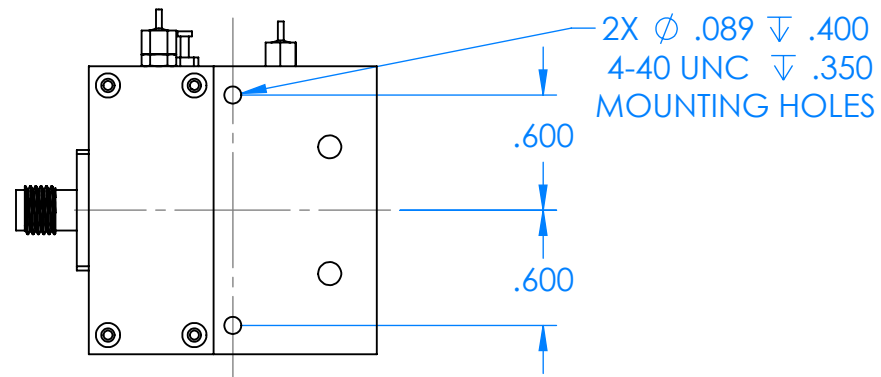


REVISIONS			
REV	DESCRIPTION	DATE	APPROVED
--	--	--	--



UG-387



ALL DIMENSIONS ARE REFERENCE ONLY

DECIMALS: XXXX \pm .0005 XXX \pm .005 XX \pm .01	NAME	DATE
ANGLES: \pm .5 DEGREE	DRAWN	JV 1-7-20
THIRD ANGLE PROJECTION	CHECKED	LS 1-7-20
	ENG	LS 1-7-20
	MATL:	

TITLE: Millimeter Wave Products Inc.		REV
SIZE: A	DWG. NO. 830-840E-387_OUTLINE_25571	
SCALE: 1:1	WEIGHT:	SHEET 1 OF 1