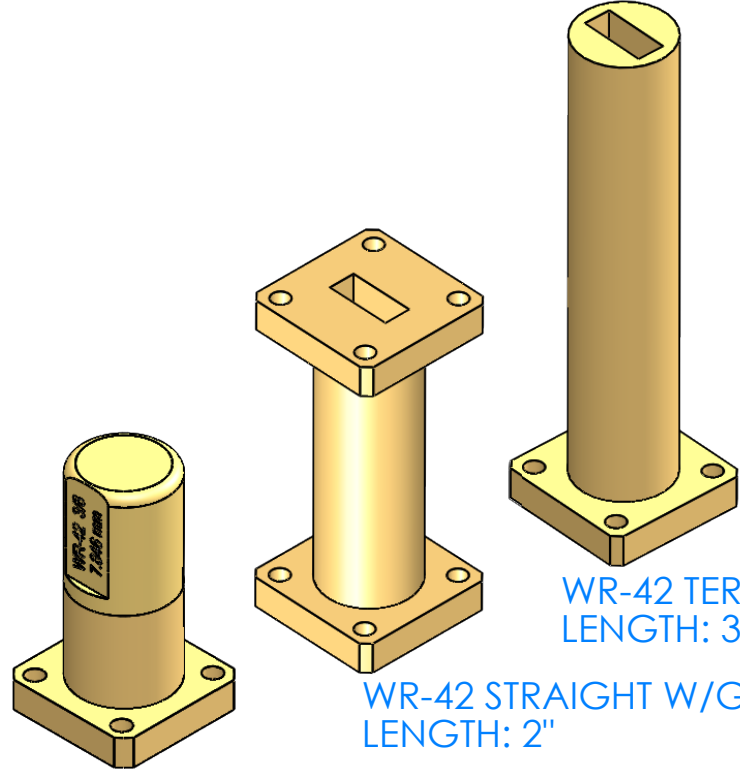
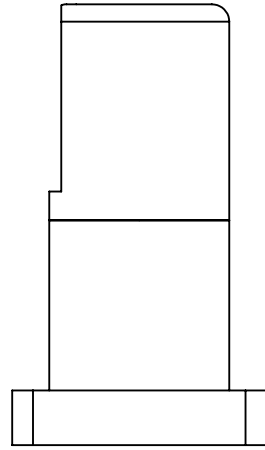
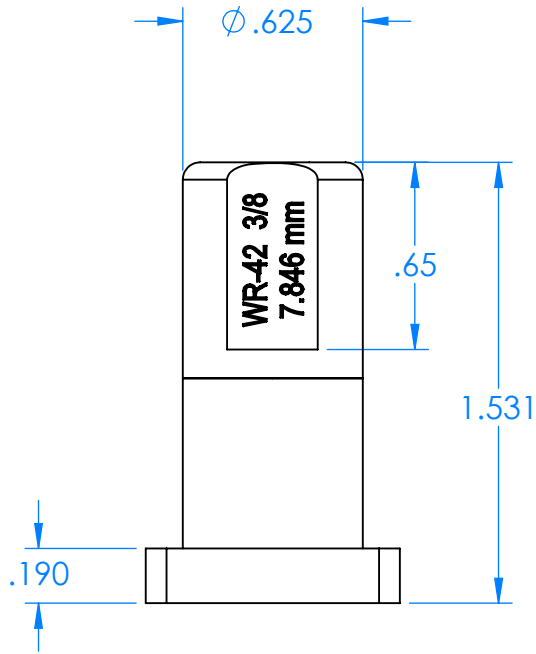


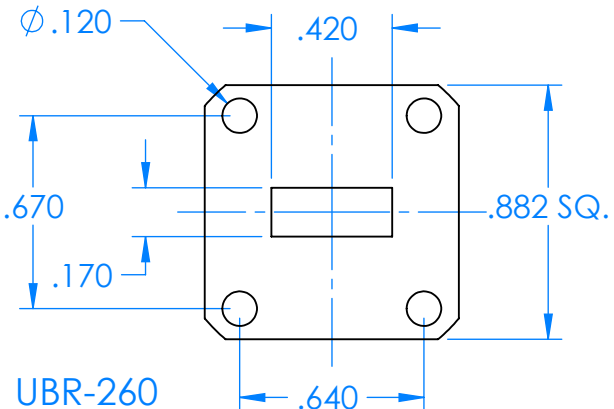
REVISIONS			
REV	DESCRIPTION	DATE	APPROVED
--	--	--	--



WR-42 TERMINATION LENGTH: 3"

WR-42 STRAIGHT W/G LENGTH: 2"

WR_42 WAVEGUIDE OFFSET



WR-34 UBR-260

- (1) 3/8 WAVE 6.594mm (AS SHOWN)
- (1) 1/4 WAVE 4.819mm
- (1) 1/8 WAVE 3.045mm
- (1) ZERO SET 1.270mm
- (1) WR-34 UBR-260 STRAIGHT W/G
- (1) WR-34 UBR-260 TERMINATION

ALL DIMENSIONS ARE REFERENCE ONLY

DECIMALS: XXXX ±.0005 XXX ±.005 XX ±.01	ANGLES: ± .5 DEGRESS	THIRD ANGLE PROJECTION	<table border="1"> <tr> <td>NAME</td> <td>DATE</td> </tr> <tr> <td>DRAWN JV</td> <td>3-30-18</td> </tr> <tr> <td>CHECKED MS</td> <td>3-30-18</td> </tr> <tr> <td>ENG LS</td> <td>3-30-18</td> </tr> </table>	NAME	DATE	DRAWN JV	3-30-18	CHECKED MS	3-30-18	ENG LS	3-30-18	TITLE: Mi-Wave Millimeter Products Inc.	SIZE DWG. NO. 780 WR-42 OUTLINE_26130	REV
NAME	DATE													
DRAWN JV	3-30-18													
CHECKED MS	3-30-18													
ENG LS	3-30-18													
MATERIAL: _____			SCALE: 3:2	WEIGHT:	SHEET 1 OF 1									