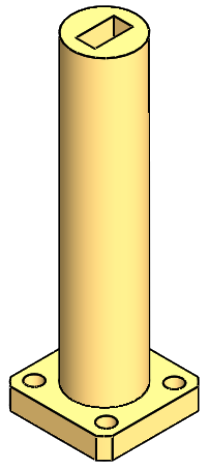
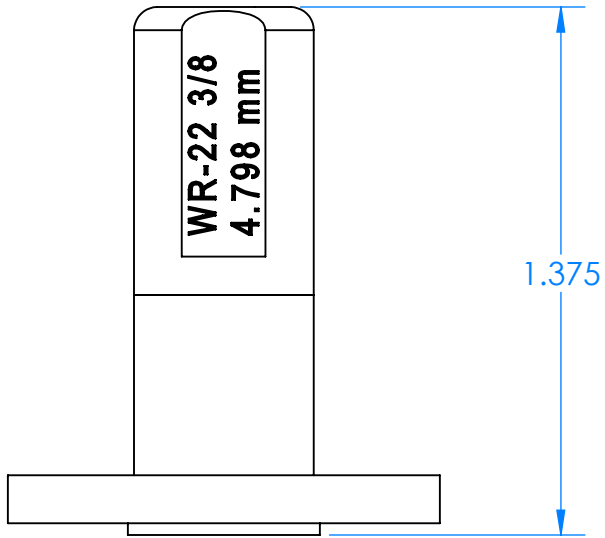
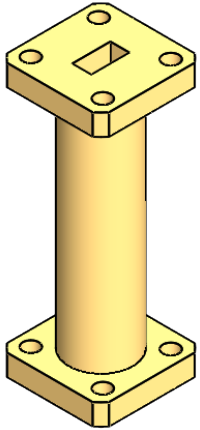


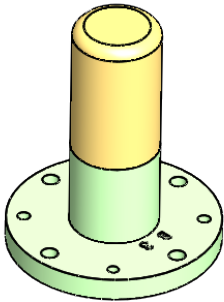
REVISIONS			
REV	DESCRIPTION	DATE	APPROVED
-	-	-	-



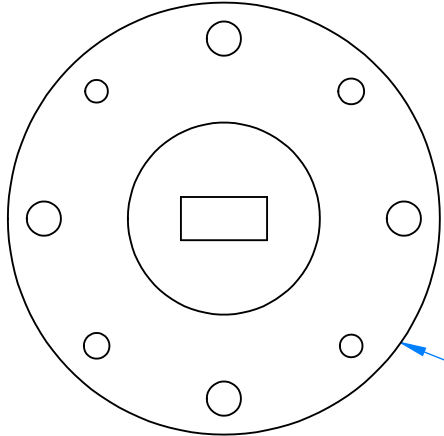
WR-22 UG-383  
TERMINATION:  
LENGTH 2.38"



WR-22 UG-383  
STRAIGHT W/G:  
LENGTH 2"



WR-22\_WAVEGUIDE OFFSET



383 FLANGE

DECIMALS: XXXX ±.0005 XXX ±.005 XX ±.01	DRAWN CC 9-8-21 CHECKED MS 9-8-21 ENG LS 9-8-21	NAME DATE CC 9-8-21 MS 9-8-21 LS 9-8-21	TITLE: <b>Mi-Wave Millimeter Products Inc.</b>	REV -
ANGLES: ± .5 DEGRESS	MATL: 6061 T6 ALUMINUM	SCALE: 2:1	SIZE DWG. NO. <b>A 780B 383 CALIBRATION KIT OUTLINE_26133</b>	WEIGHT:
THIRD ANGLE PROJECTION				SHEET 1 OF 1