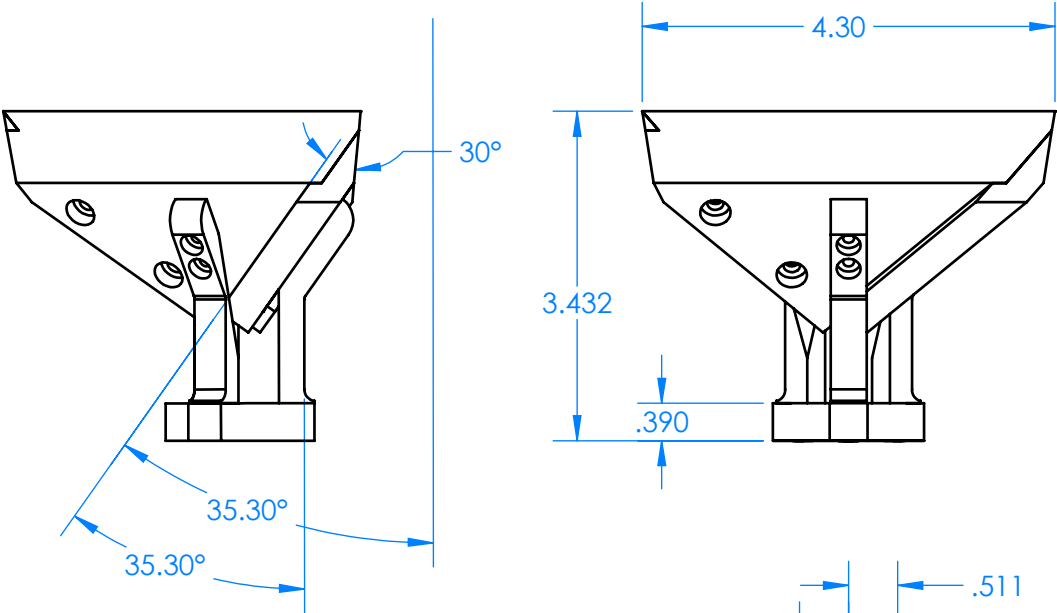
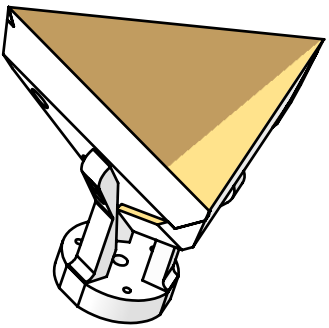
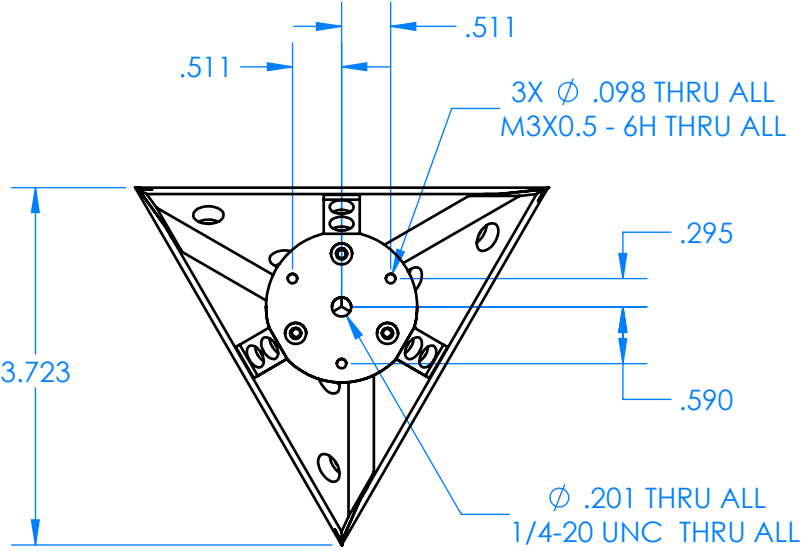
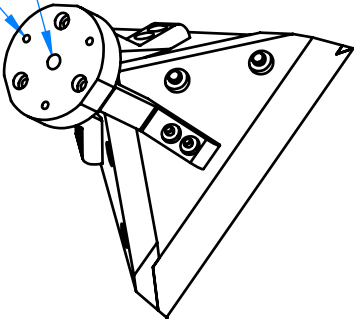


REVISIONS			
REV	DESCRIPTION	DATE	APPROVED
--	--	--	--



ϕ .201 THRU ALL
1/4-20 UNC THRU ALL

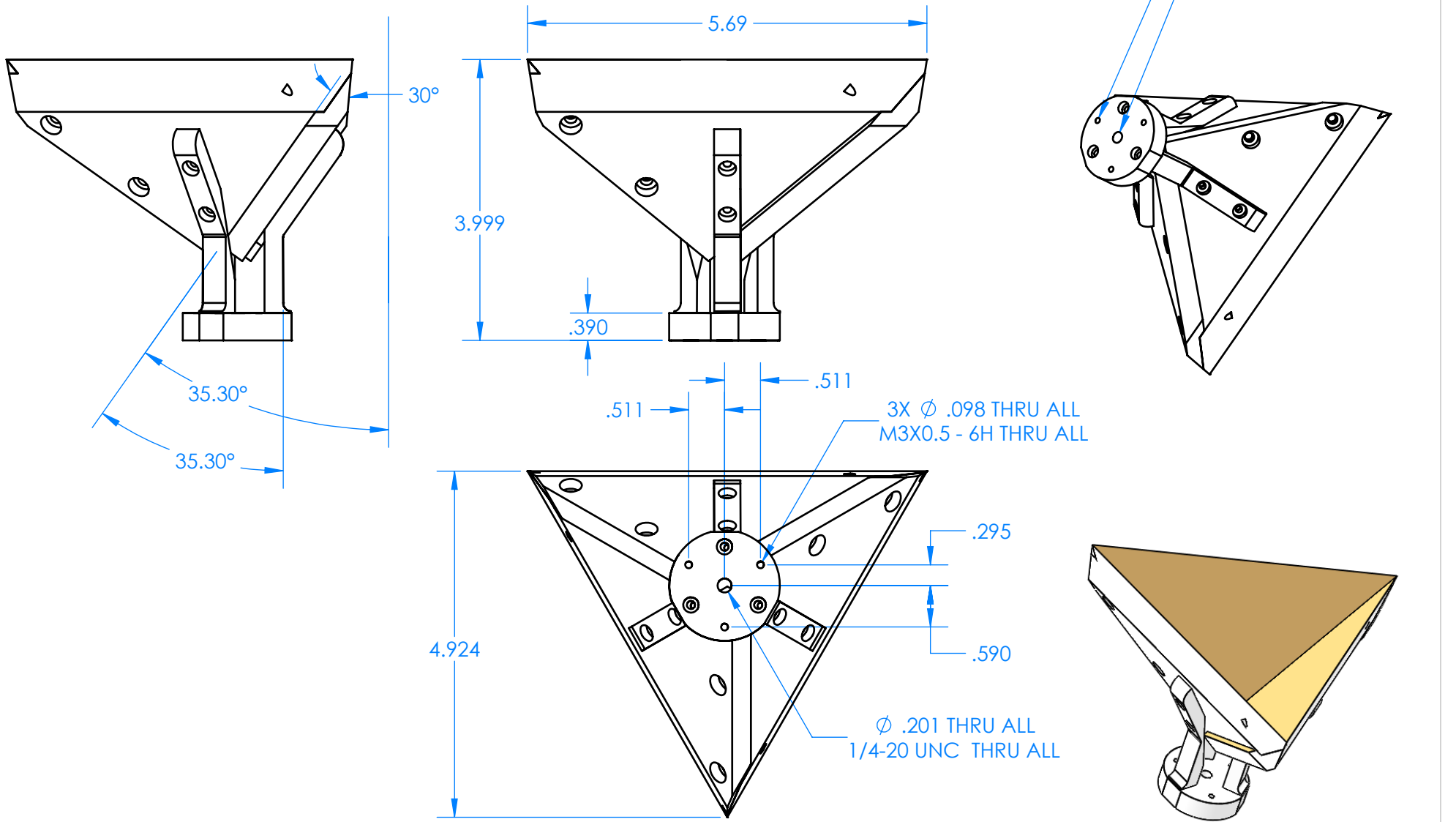
3X ϕ .098 THRU ALL
M3X0.5 - 6H THRU ALL



DECIMALS: XXXX ±.0005 XXX ±.005 XX ±.01	NAME	DATE
ANGLES: ± .5 DEGREE	DRAWN	JV 6-28-17
THIRD ANGLE PROJECTION	CHECKED	MS 6-28-17
	ENG	LS 6-28-17
	MATL:	6061 T6 ALUMINUM

TITLE: Mi-Wave Millimeter Products Inc.		REV
SIZE	DWG. NO. Trihedral Reflector 770_4.3_OUTLINE_23645	
A	SCALE: 1:4	WEIGHT:
		SHEET 1 OF 1

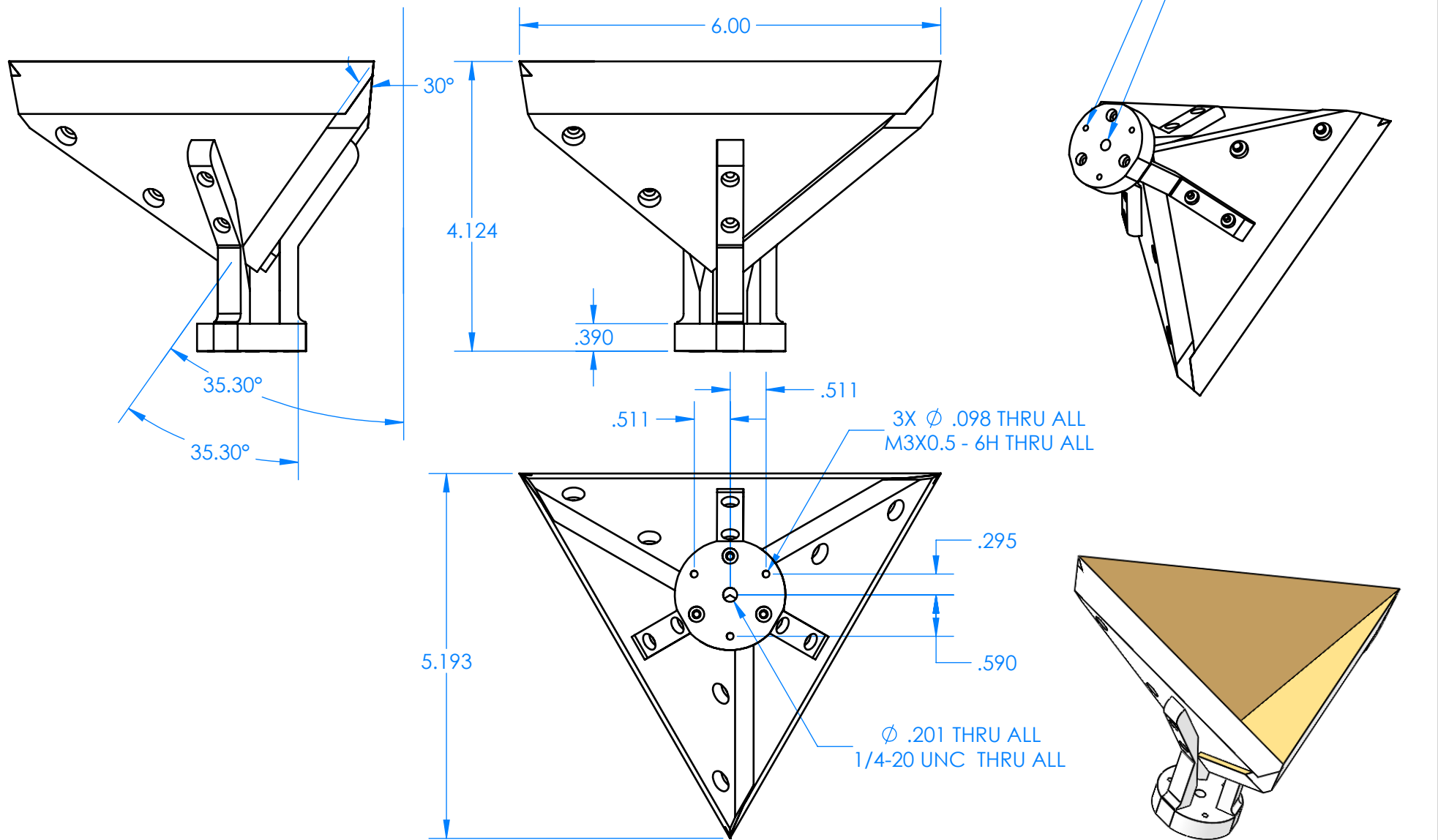
REVISIONS			
REV	DESCRIPTION	DATE	APPROVED
--	--	--	--



DECIMALS: XXXX ±.0005 XXX ±.005 XX ±.01	NAME	DATE
ANGLES: ± .5 DEGREE	DRAWN CC	4-8-2020
THIRD ANGLE PROJECTION	CHECKED MS	4-8-2020
	ENG LS	4-8-2020
	MATL:	
	6061 T6 ALUMINUM	

TITLE:	Mi-Wave Millimeter Products Inc.	
SIZE	DWG. NO.	REV
A	Trihedral Reflector 770_5.7_OUTLINE_25215	
SCALE: 1:4	WEIGHT:	SHEET 1 OF 1

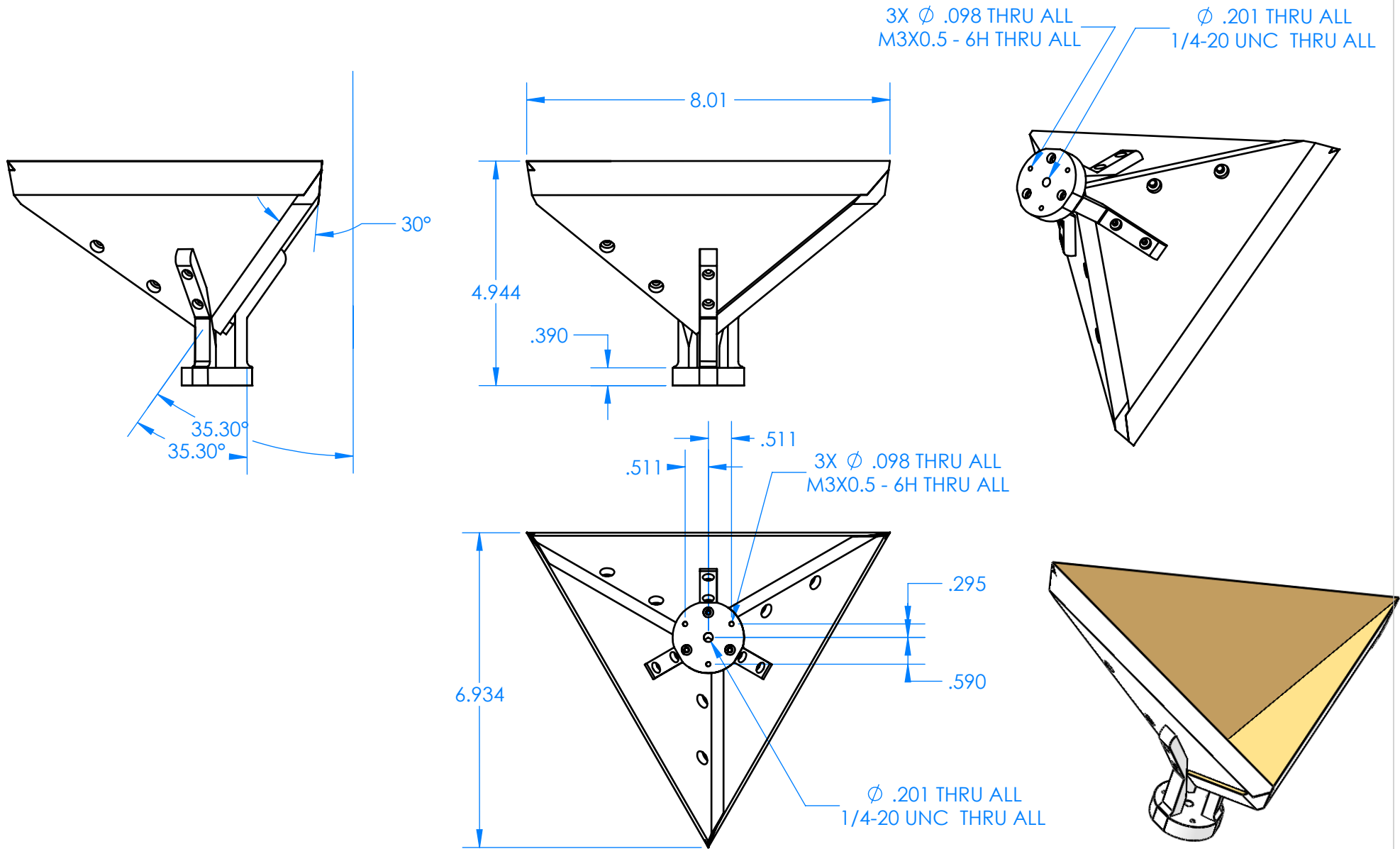
REVISIONS			
REV	DESCRIPTION	DATE	APPROVED
--	--	--	--



DECIMALS: XXXX ±.0005 XXX ±.005 XX ±.01	NAME	DATE
ANGLES: ± .5 DEGREE	DRAWN CC	4-9-2020
THIRD ANGLE PROJECTION	CHECKED MS	4-9-2020
	ENG LS	4-9-2020
	MATL:	
	6061 T6 ALUMINUM	

TITLE:	Mi-Wave Millimeter Products Inc.		REV
SIZE	DWG. NO.	Trihedral Reflector 770_6.0_OUTLINE_25221	
A	SCALE: 1:4	WEIGHT:	SHEET 1 OF 1

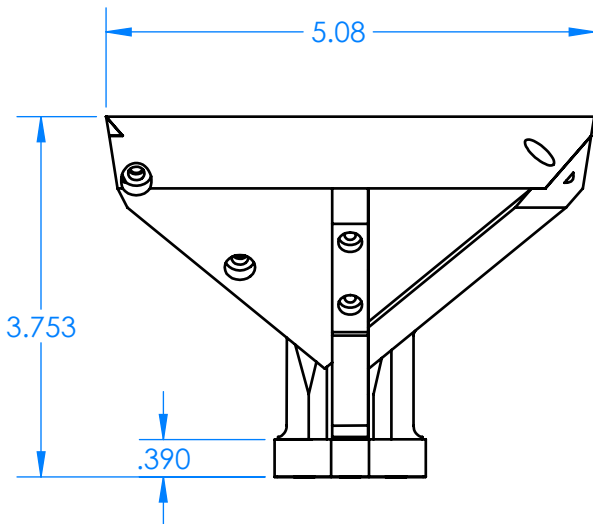
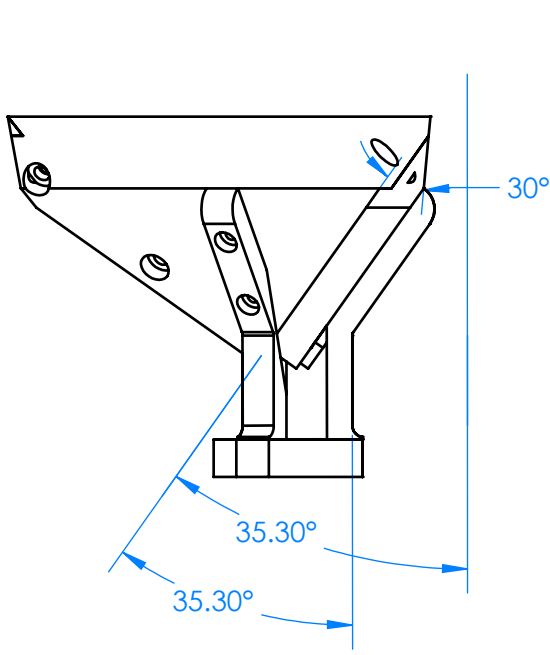
REVISIONS			
REV	DESCRIPTION	DATE	APPROVED
--	--	--	--



DECIMALS: XXXX ±.0005 XXX ±.005 XX ±.01	NAME	DATE
ANGLES: ± .5 DEGREE	DRAWN CC	4-9-2020
THIRD ANGLE PROJECTION	CHECKED MS	4-9-2020
	ENG LS	4-9-2020
	MATL:	
	6061 T6 ALUMINUM	

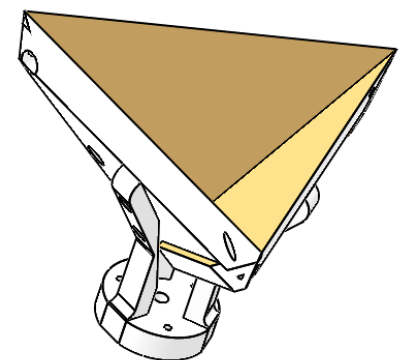
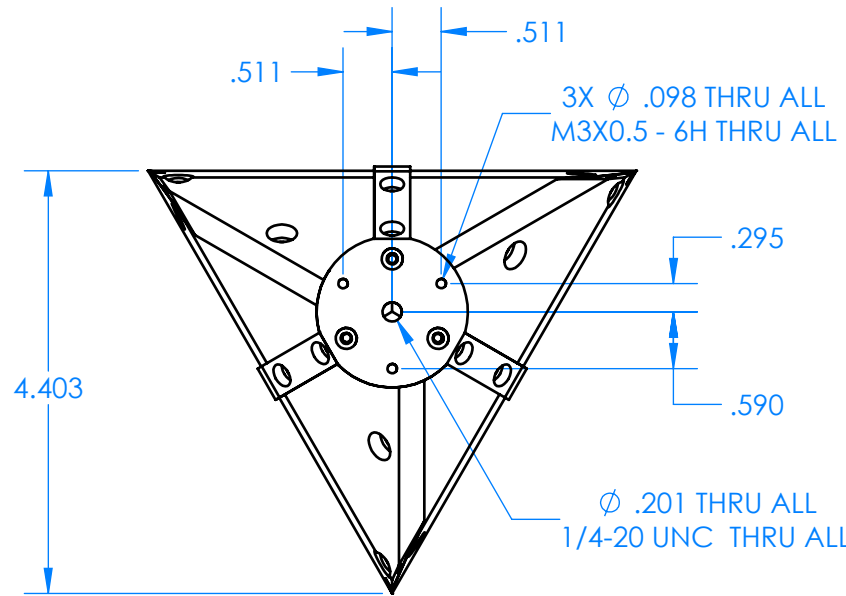
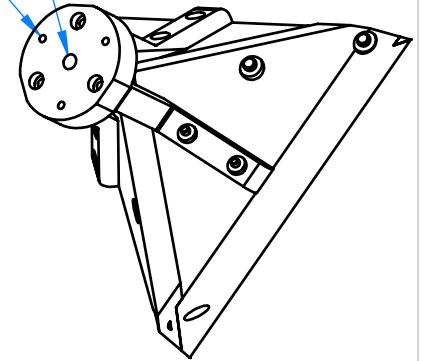
TITLE: Mi-Wave Millimeter Products Inc.		REV
SIZE A	DWG. NO. Trihedral Reflector 770_8.0_OUTLINE_25225	
SCALE: 1:3	WEIGHT:	SHEET 1 OF 1

REVISIONS			
REV	DESCRIPTION	DATE	APPROVED
--	--	--	--



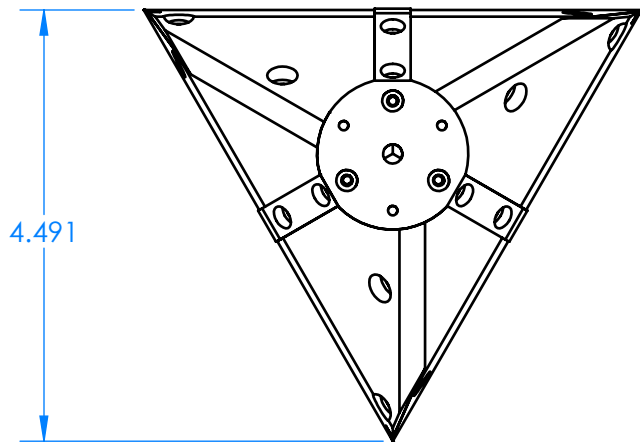
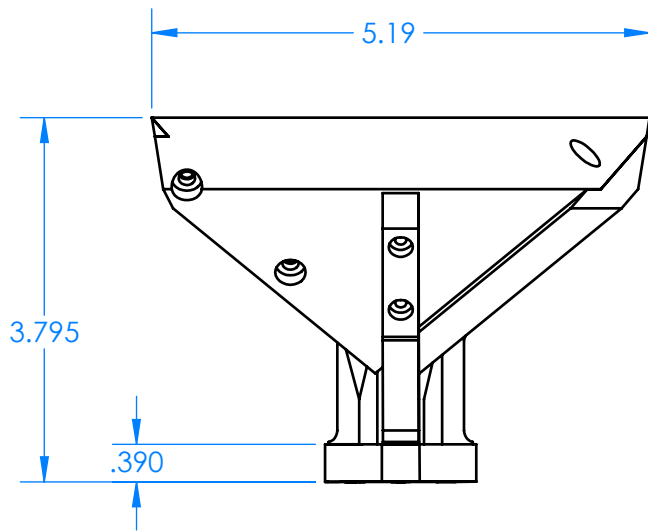
ϕ .201 THRU ALL
1/4-20 UNC THRU ALL

3X ϕ .098 THRU ALL
M3X0.5 - 6H THRU ALL



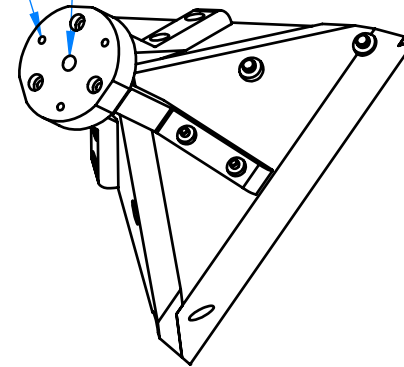
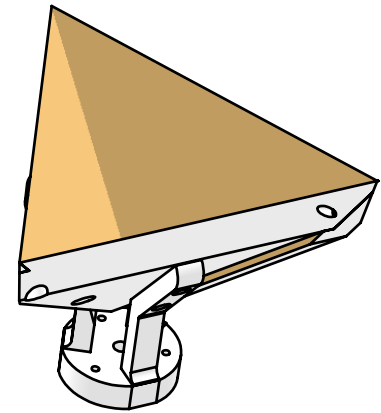
DECIMALS: XXXX ±.0005 XXX ±.005 XX ±.01	DRAWN	NAME	DATE
ANGLES: ± .5 DEGREE	CHECKED	CC	4-8-2020
THIRD ANGLE PROJECTION	ENG	MS	4-8-2020
		LS	4-8-2020
	MATL: 6061 T6 ALUMINUM		

TITLE: Mi-Wave Millimeter Products Inc.		REV
SIZE A	DWG. NO. Trihedral Reflector 770-5.08_OUTLINE_25218	
SCALE: 1:4	WEIGHT:	SHEET 1 OF 1

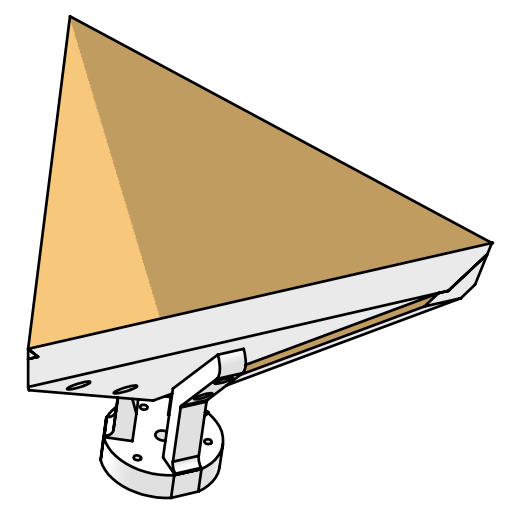
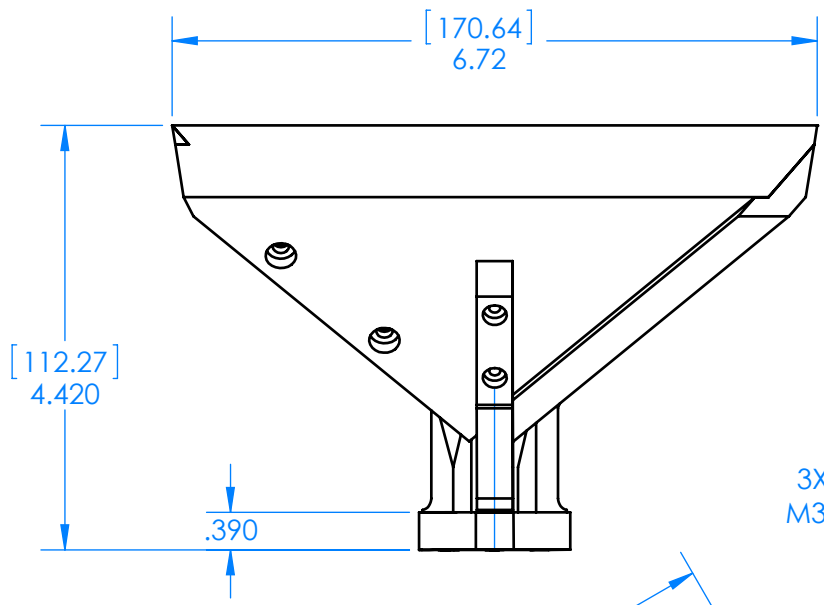


Ø .201 THRU ALL
1/4-20 UNC THRU ALL

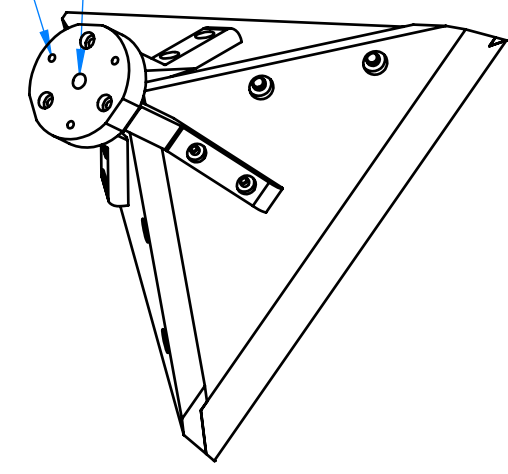
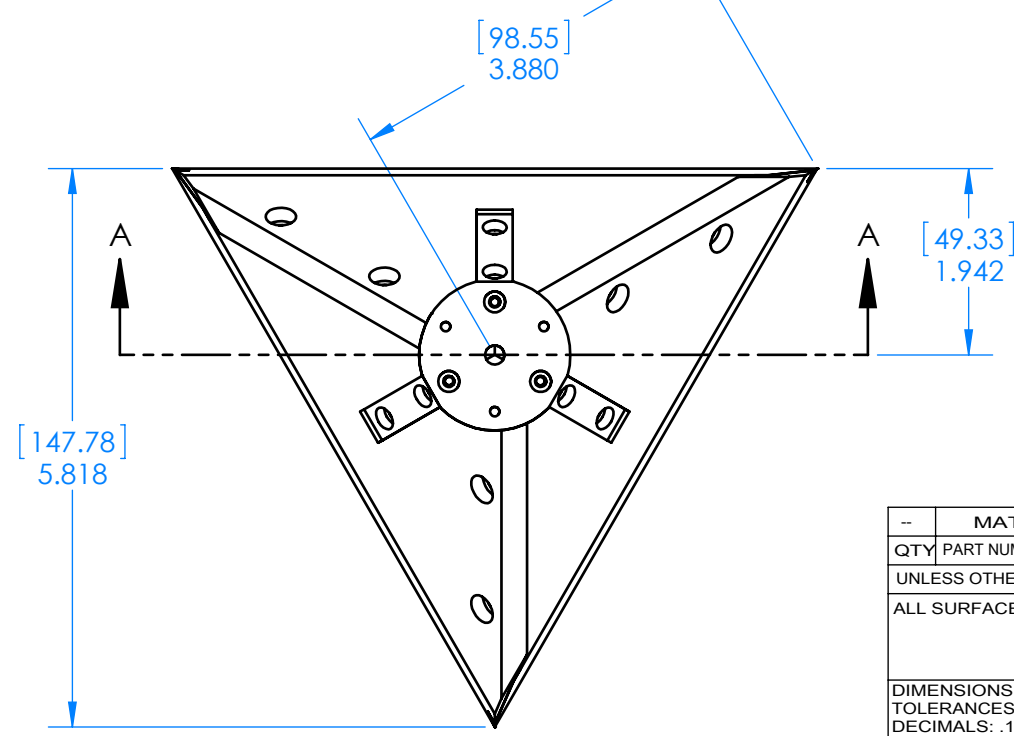
3X Ø .098 THRU ALL
M3X0.5 - 6H THRU ALL



--	MATL:	ALUMINUM		--
QTY	PART NUMBER	DESCRIPTION		ITEM
UNLESS OTHERWISE SPECIFIED		 THIRD ANGLE PROJECTION	MI-WAVE MILLIMETER PRODUCTS INC	
ALL SURFACES 32 ✓			TITLE	
DIMENSIONS ARE IN INCHES		J VOLZ	11-01-13	Trihedral Reflector_OUTLINE
TOLERANCES ARE:		ENGINEERING		
DECIMALS: .1234 +/- .0005		MS	11-01-13	SIZE DWG NO
.123 +/- .005		MANUFACTURING		
.12 +/- .01		MS	11-01-13	REV
ANGLES: +/- .5 DEGREES		MS		0
ALL THREADS TO BE 2A OR 2B		MS		
DO NOT SCALE DRAWING		CATALOG#	---	SCALE 1:1 SHEET 1 of 1



ϕ .201 THRU ALL
 1/4-20 UNC THRU ALL
 3X ϕ .098 THRU ALL
 M3X0.5 - 6H THRU ALL



--	MATL:	ALUMINUM		--
QTY	PART NUMBER	DESCRIPTION		ITEM
UNLESS OTHERWISE SPECIFIED		 THIRD ANGLE PROJECTION	MI-WAVE MILLIMETER PRODUCTS INC	
ALL SURFACES 32			TITLE	
DIMENSIONS ARE IN INCHES		DRAFTING		Trihedral Reflector_OUTLINE
TOLERANCES ARE:		J VOLZ	11-01-13	
DECIMALS: .1234 +/- .0005		ENGINEERING		
.123 +/- .005		MS	11-01-13	
.12 +/- .01		MANUFACTURING		
ANGLES: +/- .5 DEGREES		MS	11-01-13	
ALL THREADS TO BE 2A OR 2B		MS	11-01-13	REV
DO NOT SCALE DRAWING		CATALOG#	---	0
SCALE 1:1			SHEET 1 of 1	