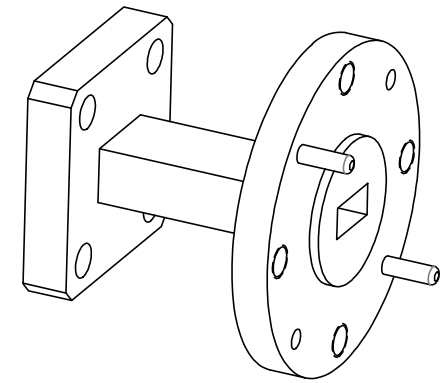
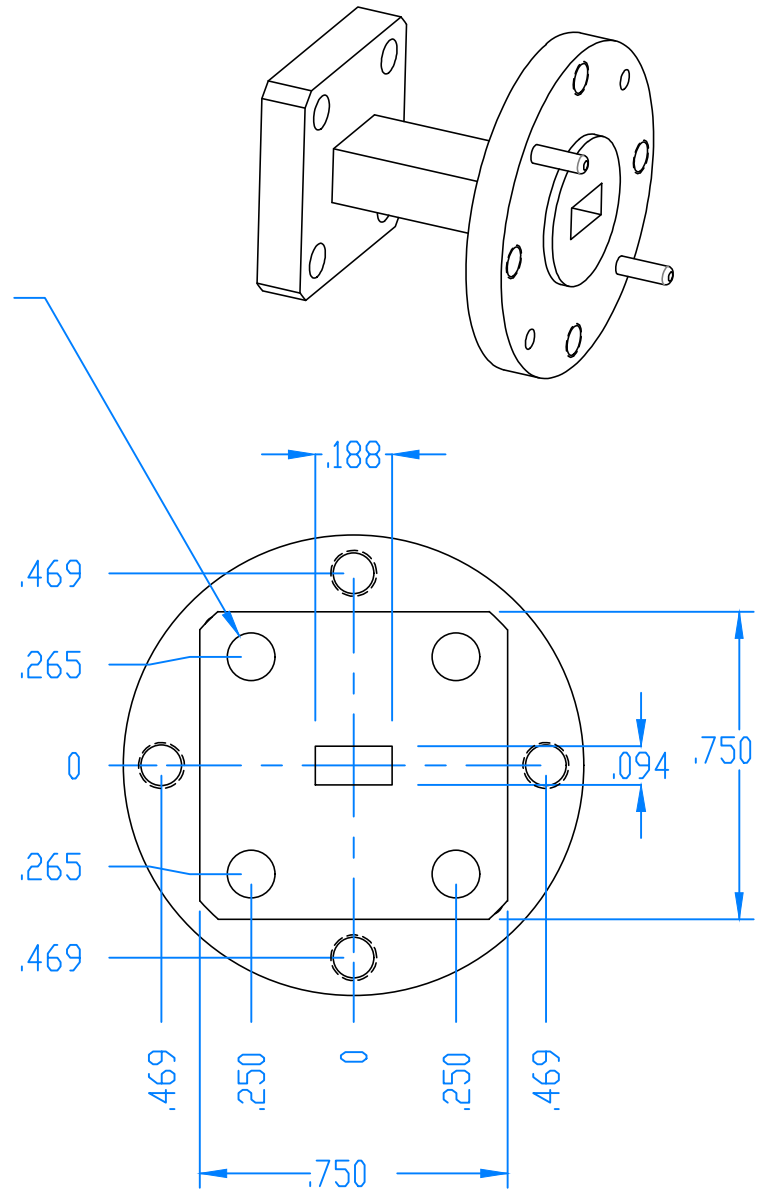
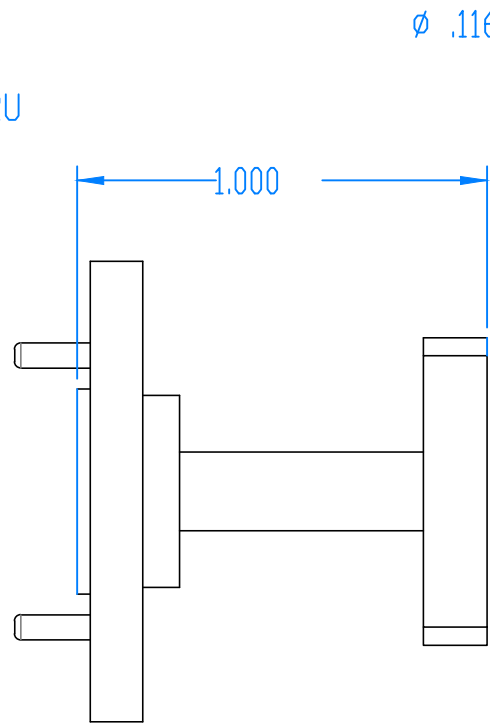
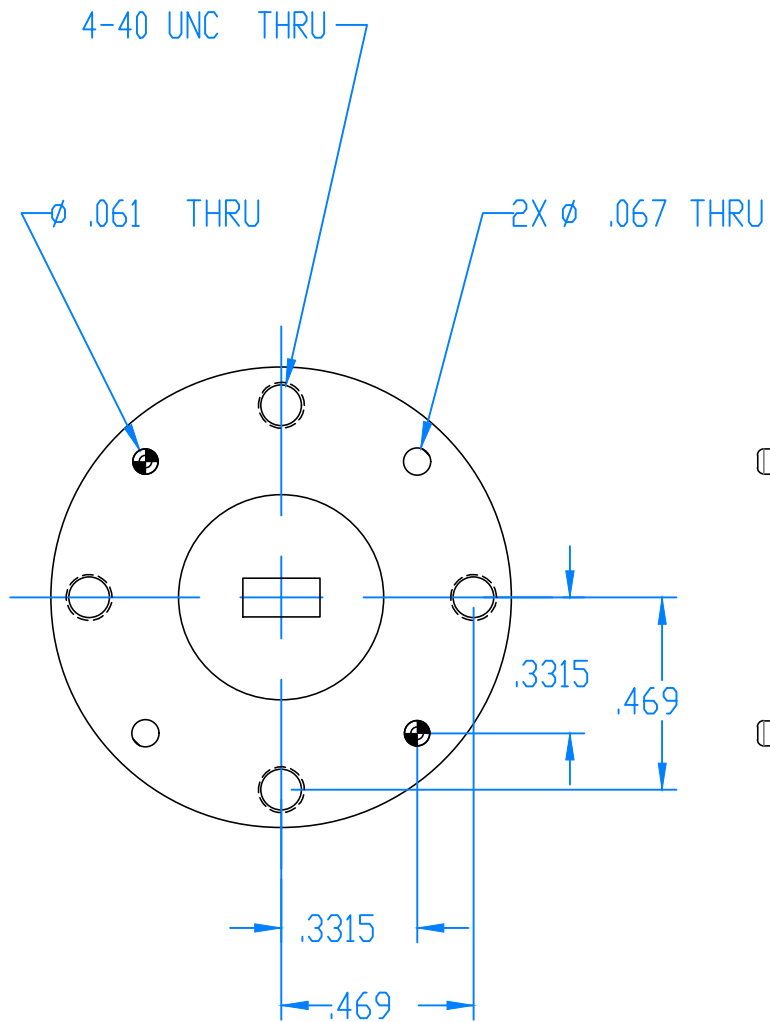


REVISIONS			
REV	DESCRIPTION	DATE	APPROVED
--	--	--	--



DECIMALS: XXXX \pm .0005 XXX \pm .005 XX \pm .01	DRAWN CC	NAME CC	DATE 8-12-21	TITLE: Mi-Wave Millimeter Products Inc.		REV
ANGLES: \pm .5 DEGREE	CHECKED MS	ENG LS	DATE 8-12-21	SIZE A	DWG. NO. 688U-383-720_26113	REV
THIRD ANGLE PROJECTION	MATL: BRASS/COPPER			SCALE: 2:1	WEIGHT:	SHEET 1 OF 1