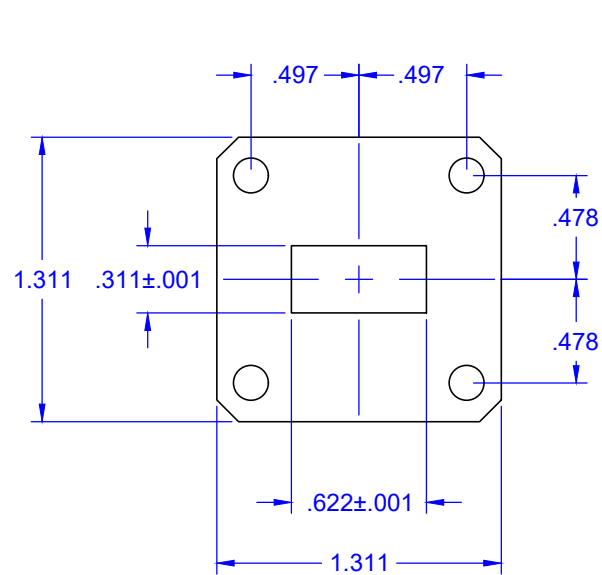
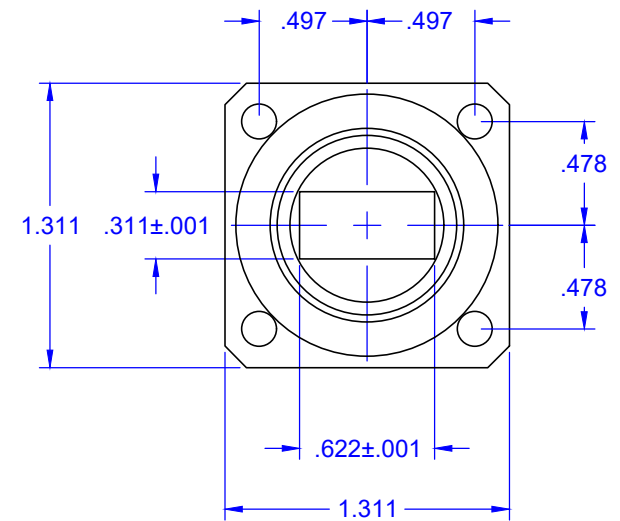
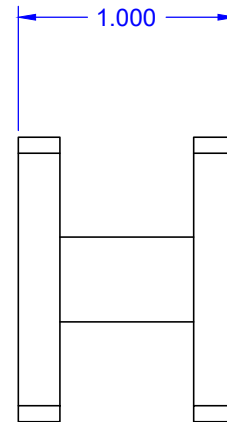


REVISIONS			
REV	DESCRIPTION	DATE	APPROVED
--	--	--	--



UG-419 FLANGE



UG-541 FLANGE

QTY	PART NUMBER	DESCRIPTION		ITEM	
UNLESS OTHERWISE SPECIFIED ALL SURFACES $\sqrt{32}$		 THIRD ANGLE PROJECTION		Mi-Wave Millimeter Products Inc. TITLE 688KU-419-541 OUTLINE	
DIMENSIONS ARE IN INCHES TOLERANCES ARE: DECIMALS: .1234 +/- .0005 .123 +/- .005 .12 +/- .01 ANGLES: +/- .5 DEGREES					
ALL THREADS TO BE 2A OR 2B					DRAFTING: C.C.
REF DWG# -- ORIGINAL DWG# 20016					APPROVED: M.S. DATE: 8-13-21
		SHEET NO. 1	OF 1	SIZE A	DWG NO 26123