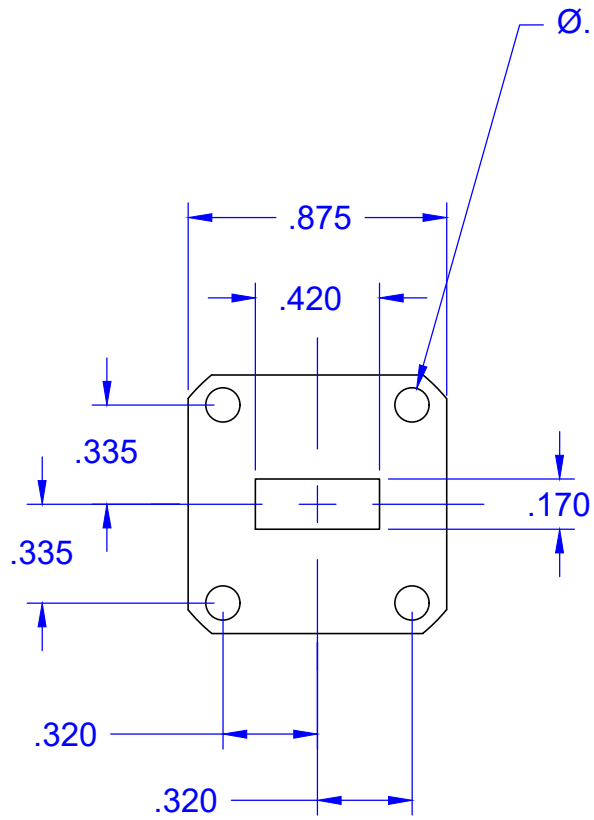
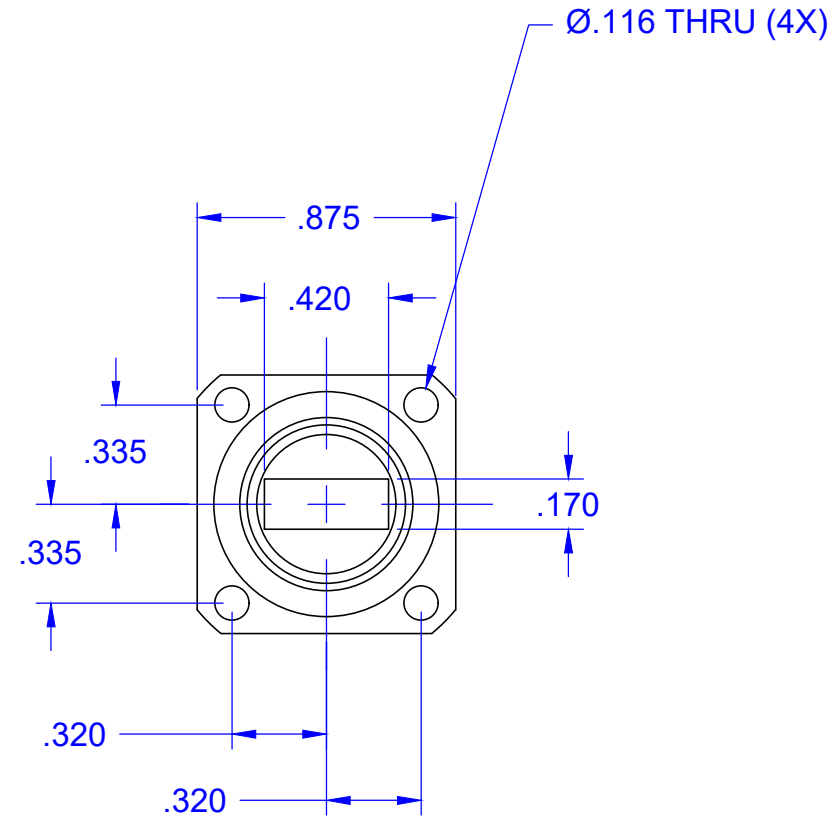
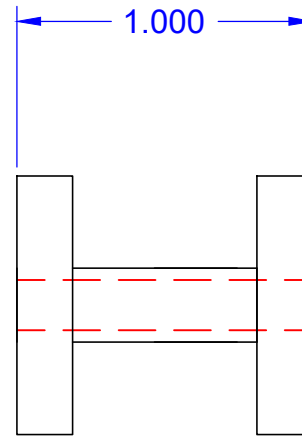


REVISIONS			
REV	DESCRIPTION	DATE	APPROVED
--	--	--	--



UG 595 FLANGE



UG 596 FLANGE

QTY	PART NUMBER	DESCRIPTION		ITEM
UNLESS OTHERWISE SPECIFIED ALL SURFACES $\sqrt{32}$		<p>THIRD ANGLE PROJECTION</p>		Mi-Wave Millimeter Products Inc. TITLE 688K-595-596 OUTLINE
DIMENSIONS ARE IN INCHES TOLERANCES ARE: DECIMALS: .1234 +/- .0005 .123 +/- .005 .12 +/- .01 ANGLES: +/- .5 DEGREES				
ALL THREADS TO BE 2A OR 2B				
REF DWG# -- ORIGINAL DWG# 20016				
		DRAFTING: C.C.		
		APPROVED: M.S.		
		DATE: 8-13-21		
		SHEET NO. 1	OF 1	SIZE A
				DWG NO 26122