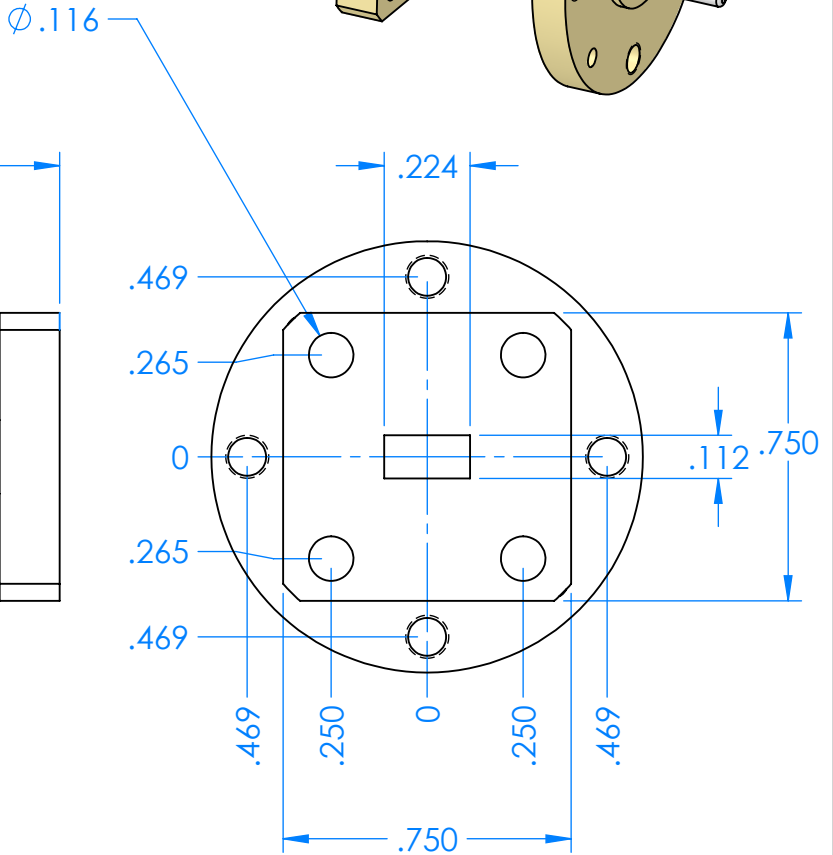
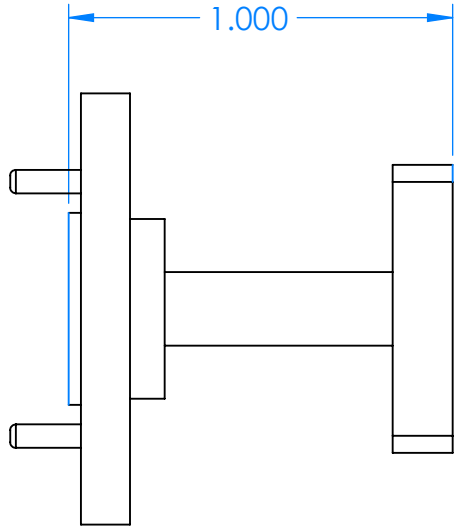
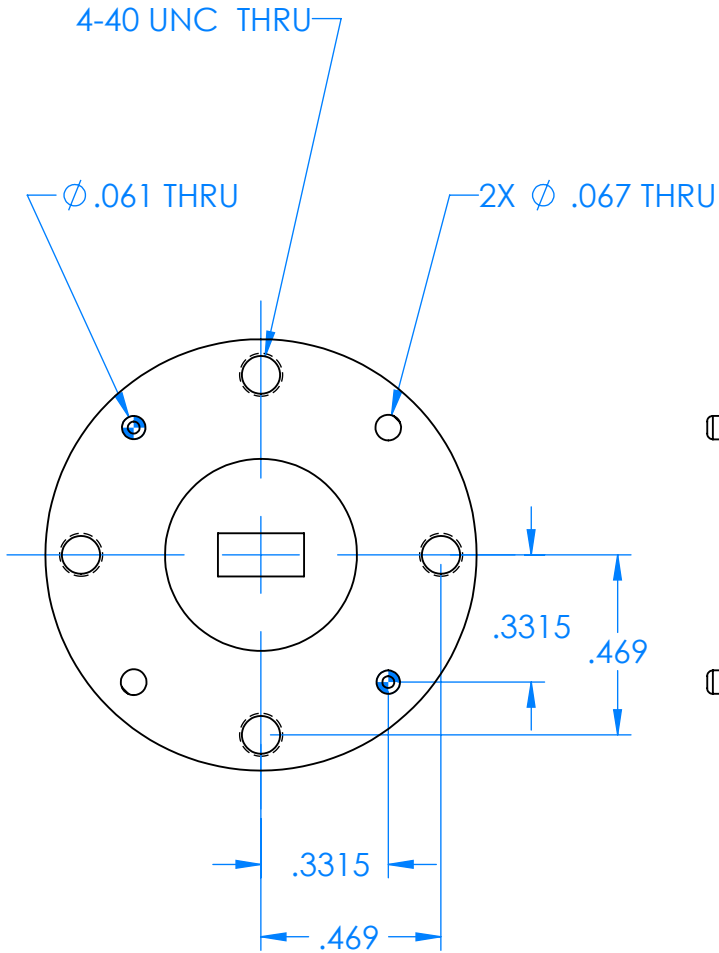
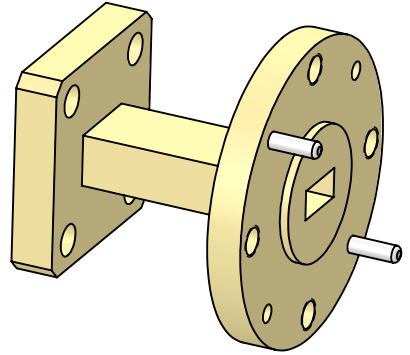


REVISIONS			
REV	DESCRIPTION	DATE	APPROVED
--	--	--	--



DECIMALS: XXXX ±.0005 XXX ±.005 XX ±.01	DRAWN	JV	8-29-17
ANGLES: ± .5 DEGREE	CHECKED	MS	8-29-17
THIRD ANGLE PROJECTION	ENG	LS	8-29-17
	MATL:	BRASS/COPPER	

TITLE:	Mi-Wave Millimeter Products Inc.		
SIZE	DWG. NO.	688B-383-719_23702	REV
A			
SCALE: 2:1	WEIGHT:		SHEET 1 OF 1