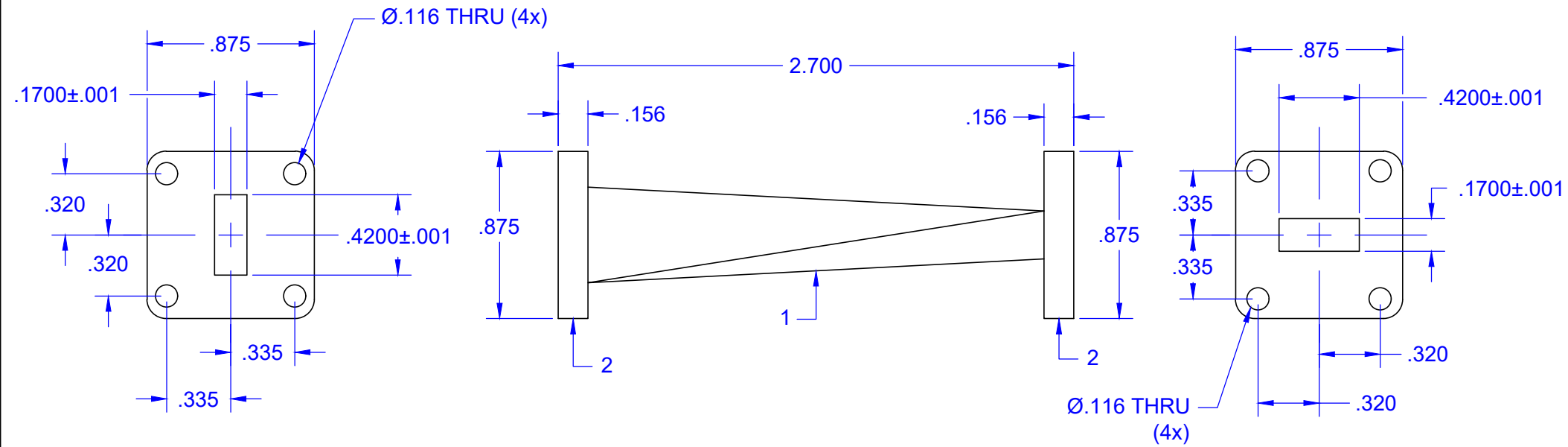
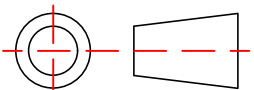


REVISIONS			
REV	DESCRIPTION	DATE	APPROVED
--	--	--	--



2	STOCK	UG595 FLANGE		2	
1	STOCK	WR-42 WAVEGUIDE		1	
QTY	PART NUMBER	DESCRIPTION		ITEM	
UNLESS OTHERWISE SPECIFIED					
ALL SURFACES $32/\sqrt{}$					
DIMENSIONS ARE IN INCHES					
TOLERANCES ARE:					
DECIMALS: .1234 +/- .0005					
.123 +/- .005					
.12 +/- .01					
ANGLES: +/- .5 DEGREES					
ALL THREADS TO BE 2A OR 2B					
REF DWG# --		SHEET NO.	OF	SIZE	DWG NO
ORIGINAL DWG# 20029		1	1	A	26264
 THIRD ANGLE PROJECTION		Mi-Wave Millimeter Products Inc.			
		TITLE 681K-LH/595 OUTLINE			
		DRAFTING: C.C. APPROVED: M.S. DATE: 10-28-21			