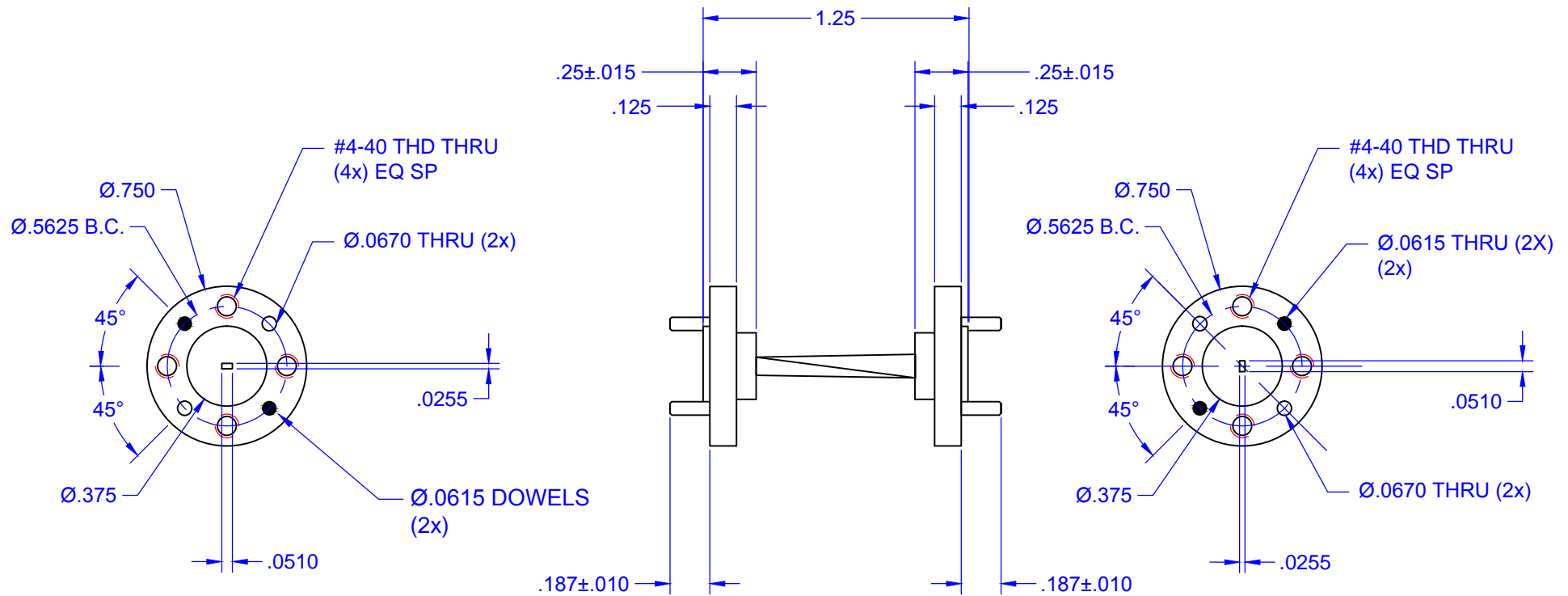


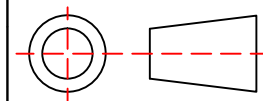
REVISIONS			
REV	DESCRIPTION	DATE	APPROVED
--	--	--	--



UNLESS OTHERWISE SPECIFIED  
ALL SURFACES  $\sqrt{32}$

DIMENSIONS ARE IN INCHES  
TOLERANCES ARE:  
DECIMALS: .1234 +/- .0005  
.123 +/- .005  
.12 +/- .01  
ANGLES: +/- .5 DEGREES

ALL THREADS TO BE 2A OR 2B  
REF DWG #: -



THIRD ANGLE PROJECTION

DRAFTING: J.V.

APPROVED: M.S.

DATE: 5-7-19

SHEET NO. 1 OF 1

Mi-Wave Millimeter Products Inc.

TITLE  
681G- RH-387C  
OUTLINE

SIZE DWG NO  
A 24855