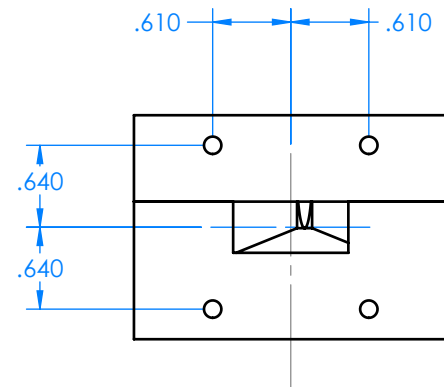
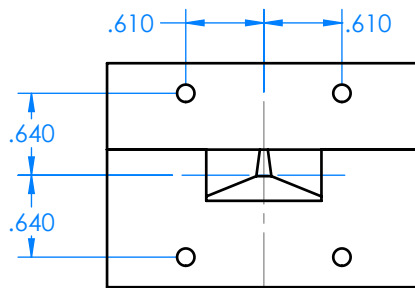
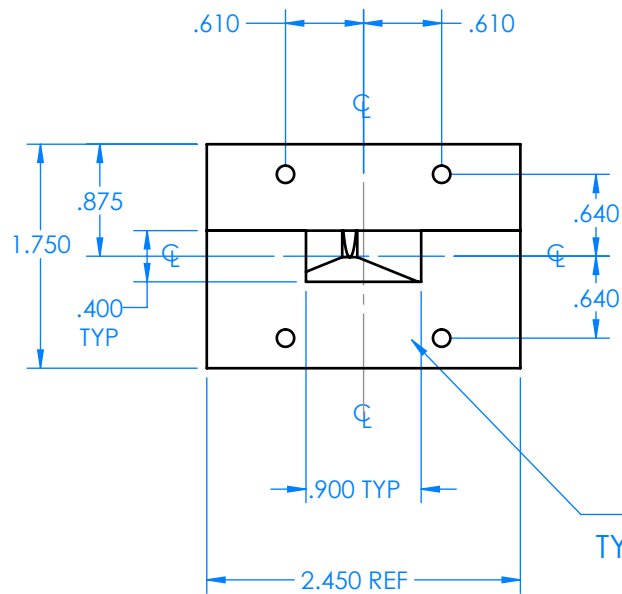
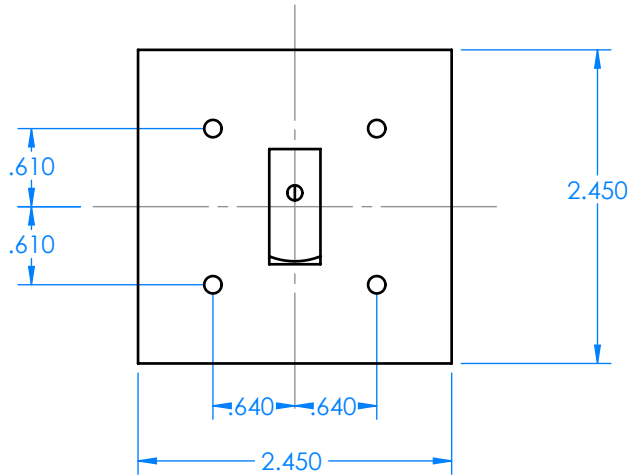
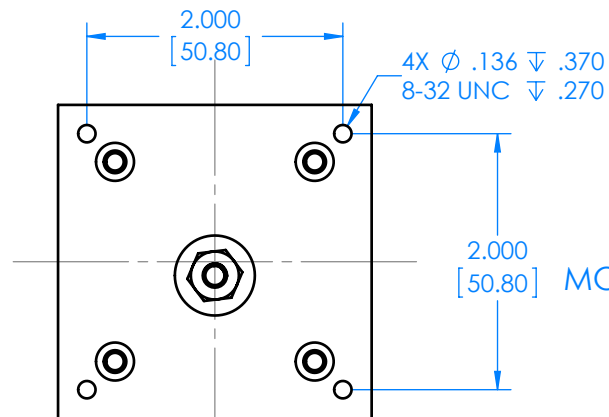


| REVISIONS | | | |
|-----------|-------------|------|----------|
| REV | DESCRIPTION | DATE | APPROVED |
| -- | -- | -- | -- |



UG-39
TYP. (4) PLS



MOUNTING HOLES

| | | |
|---|---------|------------------|
| DECIMALS: XXXX ±.0005 XXX ±.005 XX ±.01 | NAME | DATE |
| ANGLES: ± .5 DEGREE | DRAWN | JV 9-29-15 |
| THIRD ANGLE PROJECTION | CHECKED | MS 9-29-15 |
| | ENG | MS 9-29-15 |
| | MATL: | 6061 T6 ALUMINUM |

| | | |
|------------|----------------------------------|--------------|
| TITLE: | Mi-Wave Millimeter Products Inc. | |
| SIZE | DWG. NO. | REV |
| A | 635X-39 OUTLINE 23082 | |
| SCALE: 1:1 | WEIGHT: | SHEET 1 OF 1 |