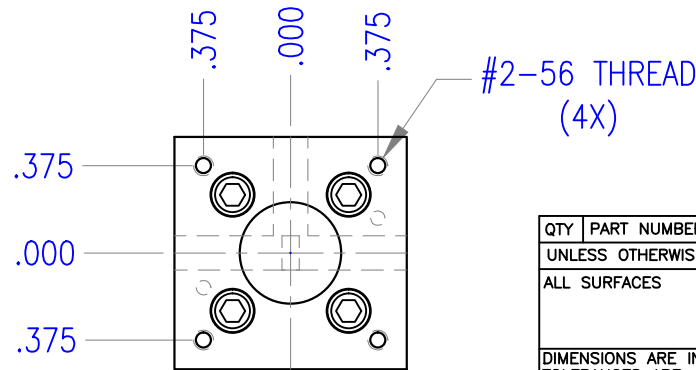
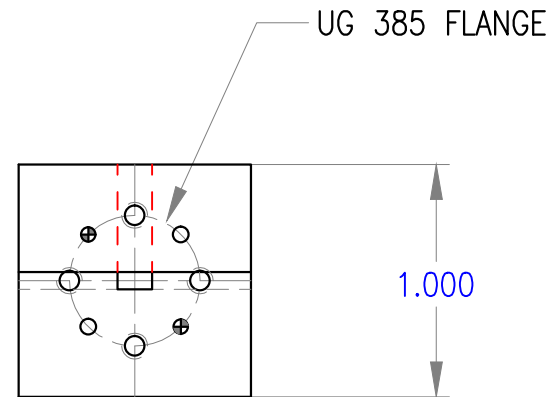
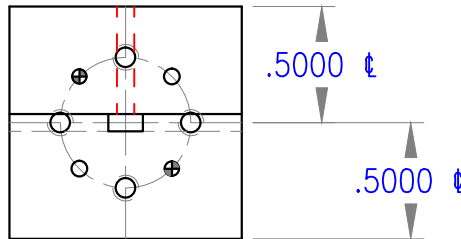
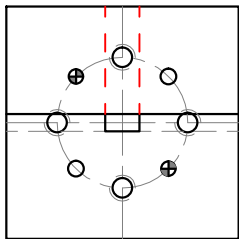
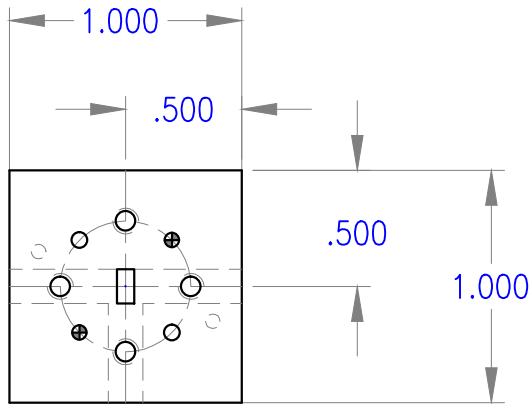
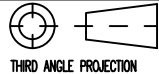


REVISIONS				
ZONE	REV	DESCRIPTION	DATE	APPROVED
-	B	REDESIGN	7-2-15	MARK S



QTY	PART NUMBER	DESCRIPTION	ITEM
		<i>Mi-Wave Millimeter Products inc.</i>	
UNLESS OTHERWISE SPECIFIED		 THIRD ANGLE PROJECTION DRAFTING	TITLE 635V / 385 OUTLINE
ALL SURFACES 32 ✓			
DIMENSIONS ARE IN INCHES		J VOLZ 6-25-15	SIZE
TOLERANCES ARE:		ENGINEERING	DWG NO
DECIMALS: .1234 +/- .0005		-	A
.123 +/- .005		-	22923
.12 +/- .01		MANUFACTURING	REV
ANGLES: +/- .5 DEGREES		-	B
ALL THREADS TO BE 2A OR 2B		-	
DO NOT SCALE DRAWING		CATALOG# 635	SCALE 1/1 SHEET 1 OF 01