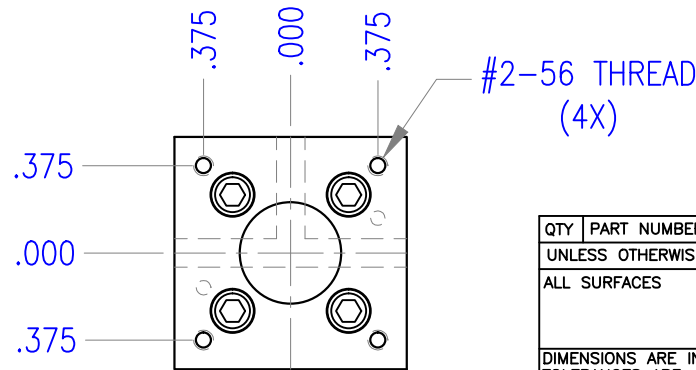
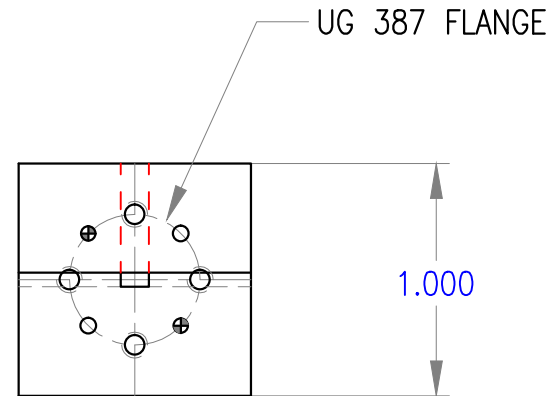
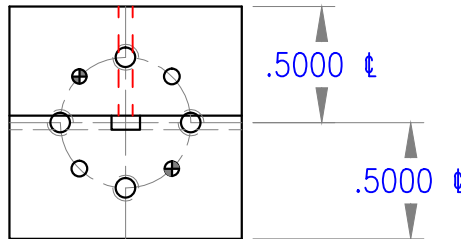
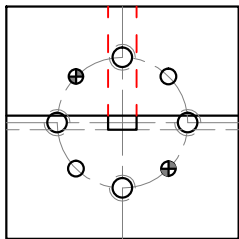
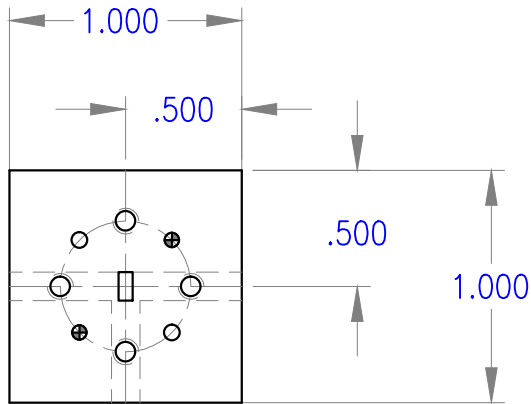
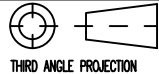


REVISIONS				
ZONE	REV	DESCRIPTION	DATE	APPROVED
-	A	REDESIGN	6-30-15	MARK S



QTY	PART NUMBER	DESCRIPTION	ITEM
UNLESS OTHERWISE SPECIFIED		 THIRD ANGLE PROJECTION DRAFTING	<i>Mi-Wave Millimeter Products inc.</i> TITLE 635-E / 387 OUTLINE
ALL SURFACES 32 ✓			
DIMENSIONS ARE IN INCHES		J VOLZ 6-25-15	SIZE
TOLERANCES ARE:		ENGINEERING	DWG NO
DECIMALS: .1234 +/- .0005		-	A
.123 +/- .005		MANUFACTURING	22919
.12 +/- .01		-	REV
ANGLES: +/- .5 DEGREES		-	A
ALL THREADS TO BE 2A OR 2B		CATALOG# 635	SCALE 1/1 SHEET 1 OF 01
DO NOT SCALE DRAWING			