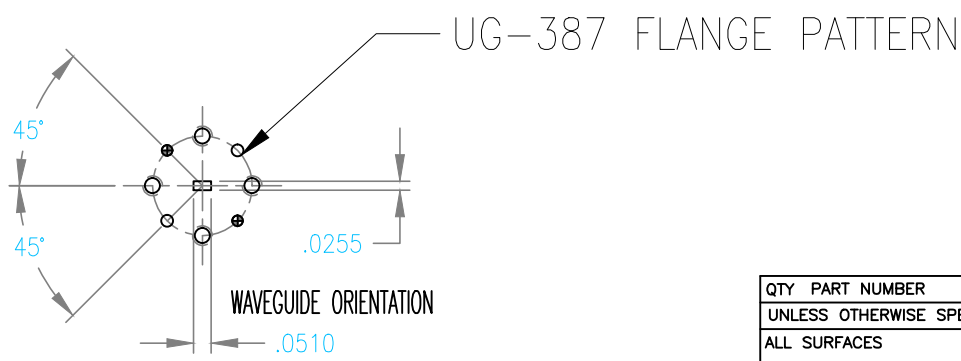
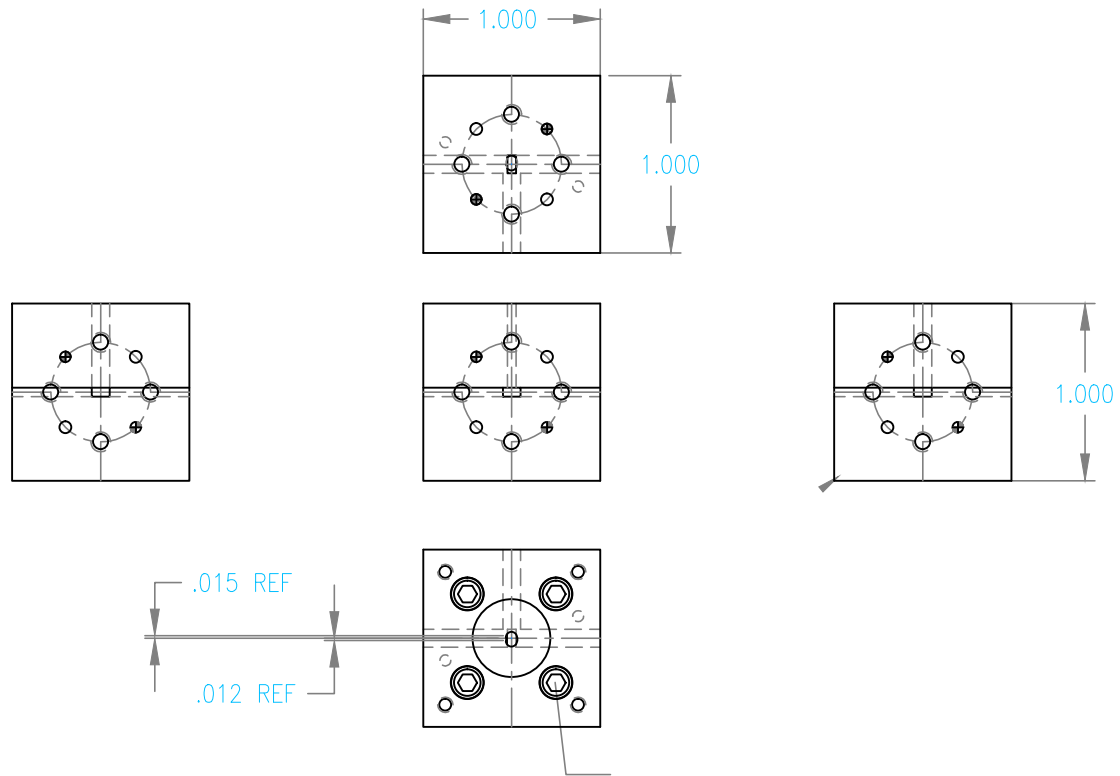


REVISIONS				
ZONE	REV	DESCRIPTION	DATE	APPROVED
-	A	SEE ECN 14053-A	10-08-09	MARK S



QTY	PART NUMBER	DESCRIPTION	ITEM
UNLESS OTHERWISE SPECIFIED			
ALL SURFACES	32	THIRD ANGLE PROJECTION	<i>Mi-Wave Millimeter Products inc.</i> TITLE 635-G / 387 ASSY & MACH NEW STYLE
		DRAFTING	
DIMENSIONS ARE IN INCHES		K. SMITH	4-29-2014
TOLERANCES ARE:		ENGINEERING	
DECIMALS: .1234 +/- .0005			
.123 +/- .005			
.12 +/- .01			
ANGLES: +/- .5 DEGREES		MANUFACTURING	
ALL THREADS TO BE 2A OR 2B			
DO NOT SCALE DRAWING	CATALOG# 635	SIZE A	DWG NO 22313
			REV A
		SCALE 1/1	SHEET 1 OF 01