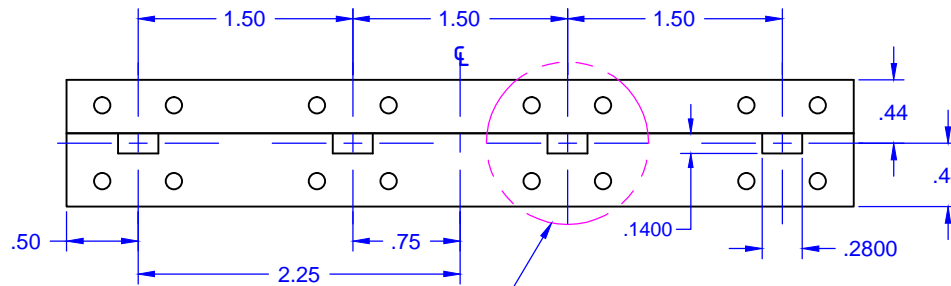
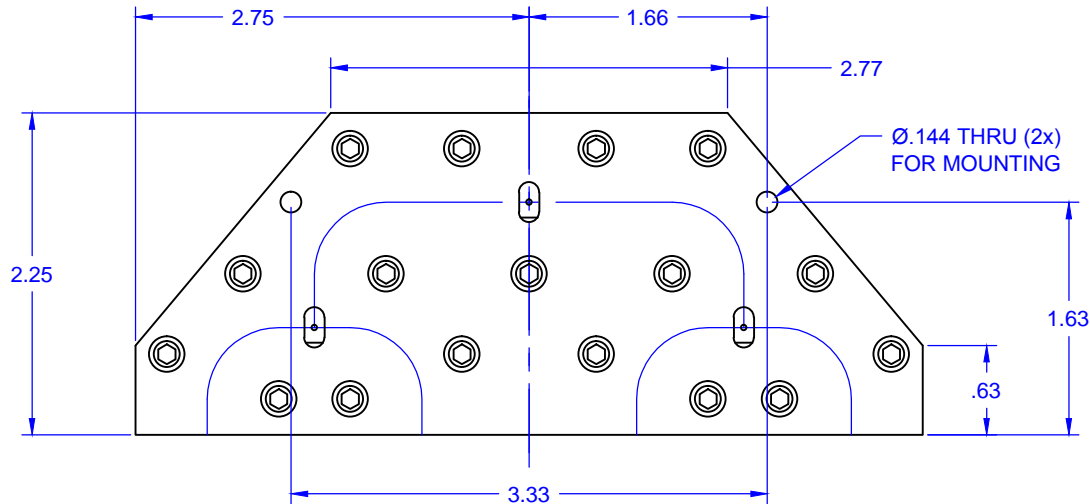
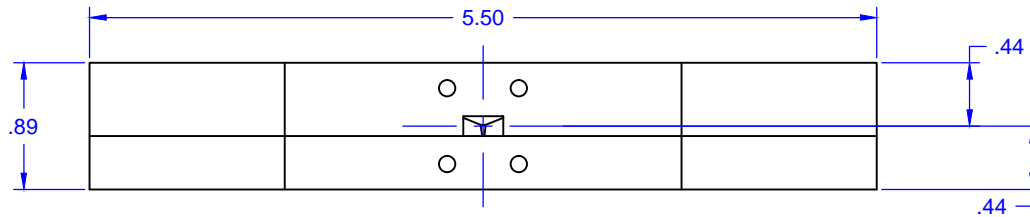


REVISIONS			
REV	DESCRIPTION	DATE	APPROVED
--	--	--	--



STANDARD UN 599 FLANGE PATTERN ALL LOCATIONS

--		--		OUTLINE DRAWING		--	
QTY	PART NUMBER	DESCRIPTION		ITEM			
UNLESS OTHERWISE SPECIFIED ALL SURFACES $\sqrt{32}$		 THIRD ANGLE PROJECTION		Mi-Wave Millimeter Products Inc.			
DIMENSIONS ARE IN INCHES TOLERANCES ARE: DECIMALS: .1234 +/- .0005 .123 +/- .005 .12 +/- .01 ANGLES: +/- .0 DEGREES		DRAFTING: MRN APPROVED: M.S. DATE: 8/27/2010		TITLE 604A/599 35 GHz OUTLINE			
ALL THREADS TO BE 2A OR 2B		SHEET NO.	OF	SIZE	DWG NO		
REF DWG# --		1	1	A	20413		