

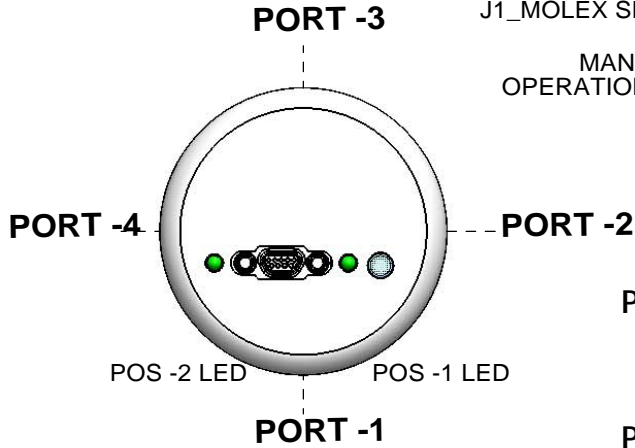
REVISIONS			
REV	DESCRIPTION	DATE	APPROVED
--	--	--	--

**OPERATION:**

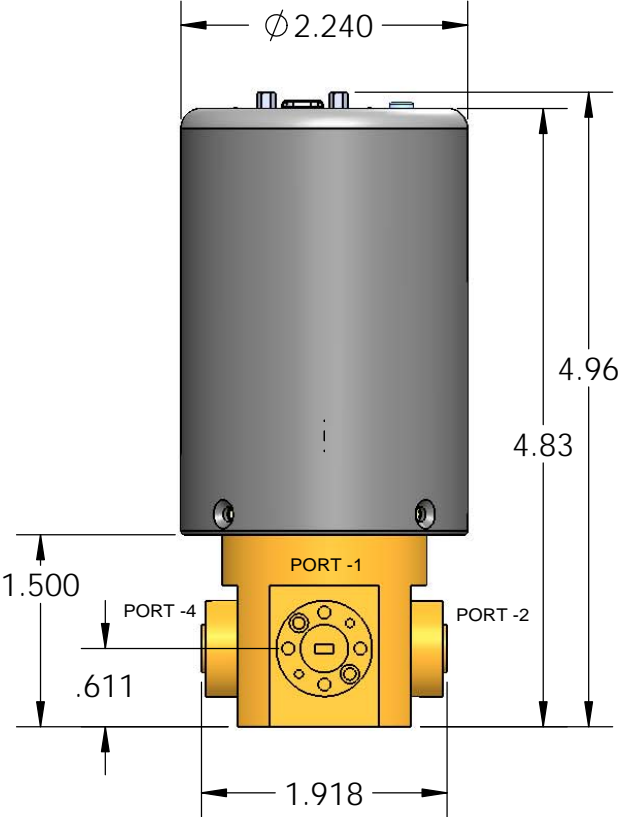
- (1) DURING INITIAL POWER UP OR AT A POWER FAILURE ALWAYS HAVE THE EXTERNAL TTL CONTROL LOW (0 V) OR DISCONNECTED .
- (2) SWITCH WILL POWER UP IN POSITION -1 AND IN EXTERNAL CONTROL MODE .
- (3) TO SELECT SWITCH POSITION MANUALLY, PRESS MANUAL OPERATION BUTTON ON TOP OF HOUSING ONCE, SWITCH WILL MOVE TO POSITION -2 AND SWITCH WILL GLOW BLUE .
- (4) TO SELECT POSITION -1 PRESS MANUAL OPERATION BUTTON AGAIN AND SWITCH WILL MOVE TO POSITION -1 AND BE IN EXTERNAL TTL CONTROL MODE
- (5) TO USE SWITCH IN EXTERNAL TTL CONTROL, SWITCH MANUAL OPERATION BUTTON MUST BE SELECTED FOR POSITION -1 AND BLUE LIGHT OFF
- (6) DO NOT EXCEED +5.5V DC ON TTL CONTROL

J1\_MOLEX SD-83611-001

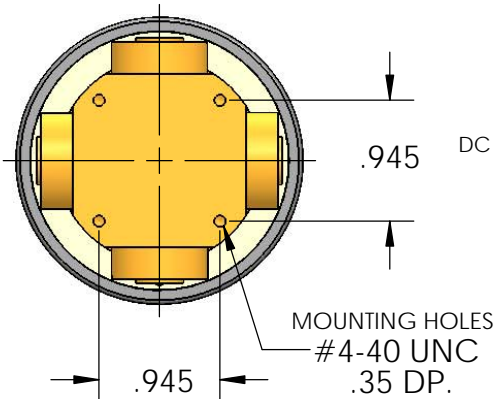
MANUAL OPERATION BUTTON



- POSITION -1**  
PORT 1 - 2  
PORT 3 - 4
- POSITION -2**  
PORT 1 - 4  
PORT 2 - 3



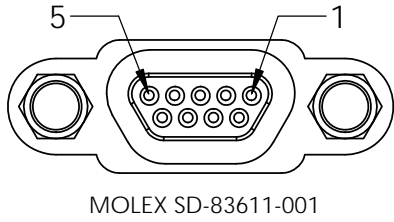
**BOTTOM VIEW**



**SPECIFICATIONS:**

	FREQUENCY RANGE	INSERTION LOSS (TYP)	ISOLATION (TYP)
535V WR-15	50 TO 75 GHz	0.4 dB	70 dB
535E WR-12	60 TO 90 GHz	0.5 dB	65 dB
535W WR-10	75 TO 110 GHz	0.6 dB	60 dB

SWITCHING SPEED 535 V,E,W  
 MANUAL 0.5 Seconds  
 EXTERNAL 0.2 Seconds  
 DC POWER +12 to +15 VDC @ 150mA nominal



**J1**

Pin No	Function
1	+12V
2	GND
3	TTL
4	POS-1
5	POS-2
6	-
7	-
8	-
9	-

YELLOW  
ORANGE  
RED  
BROWN  
BLACK

ALL DIMENSION REFERENCE ONLY

DECIMALS: XXXX ±.0005 XXX ±.005 XX ±.01	ANGLES: ±.5 DEGRESS	THIRD ANGLE PROJECTION	DRAWN: JV 2-22-17	CHECKED: MS 2-22-17	ENG: LS 2-22-17	MATL:	NAME: _____	DATE: _____	TITLE: <b>Millimeter Wave Products Inc.</b>	SIZE: <b>A</b>	DWG. NO. 535-536 V-W Two-Position Motorized Switch_SPECS_23501	REV
			SCALE: -		WEIGHT:		SHEET 1 OF 1					