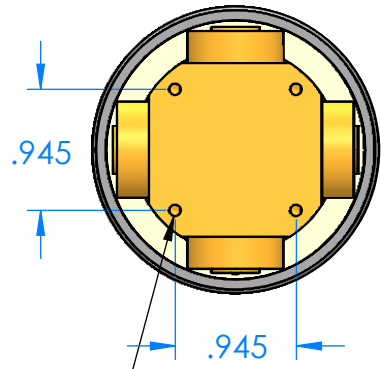
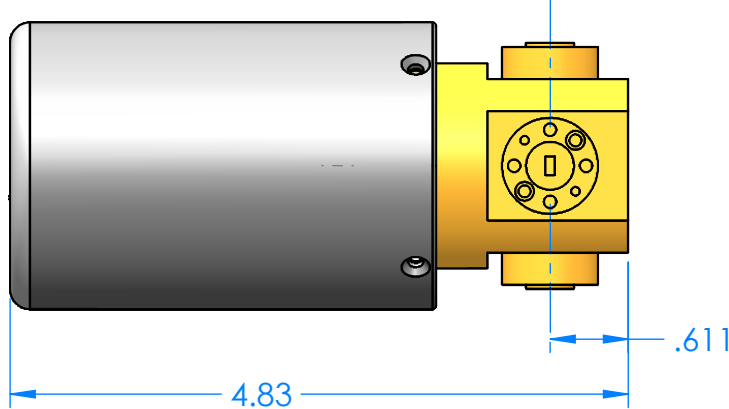
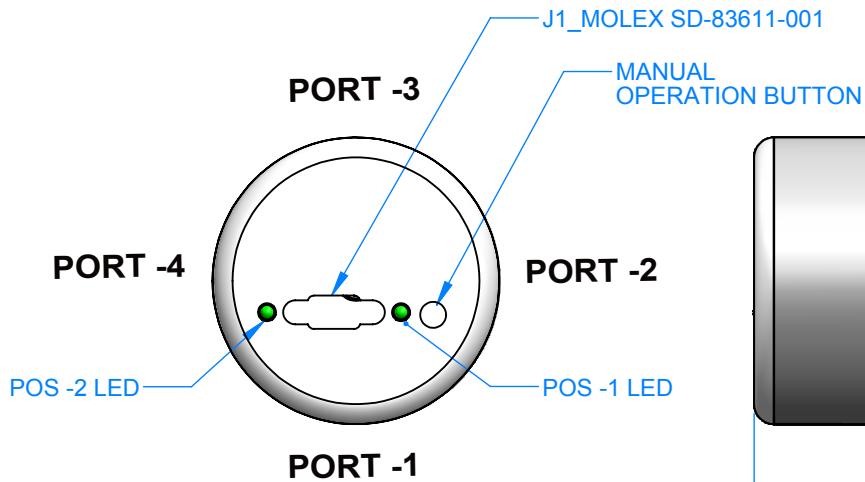
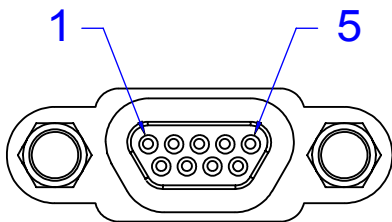
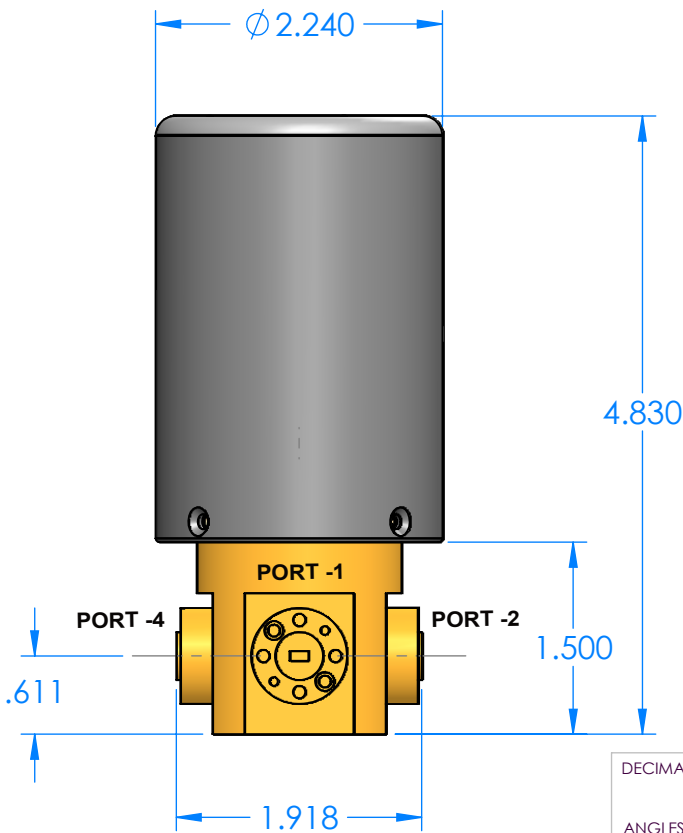


REVISIONS			
REV	DESCRIPTION	DATE	APPROVED
--	--	--	--



4X  $\phi$  .089  $\nabla$  .350  
4-40 UNC  $\nabla$  .300

**MOUNTING HOLES**



**J1**

Pin No	Function
RED 1	+12V to +15V DC
BLACK 2	GND
BROWN 3	TTL CONTROL IN
GRAY 4	POS -1
WHITE 5	POS -2
6	-
7	-
8	-
9	-

ALL DIMENSION REFERENCE ONLY

DECIMALS: XXXX ±.0005 XXX ±.005 XX ±.01	NAME	DATE
ANGLES: ± .5 DEGRESS	DRAWN	JV 2-28-17
THIRD ANGLE PROJECTION	CHECKED	MS 2-28-17
	ENG	MS 2-28-17
	MATL:	6061 T6 ALUMINUM

TITLE: <b>Mi-Wave Millimeter Products Inc.</b>		REV
SIZE <b>A</b>	DWG. NO. 535-536 V-G Two-Position Motorized Switch_OUTLINE_23500	
SCALE: 1:1.5	WEIGHT:	SHEET 1 OF 1