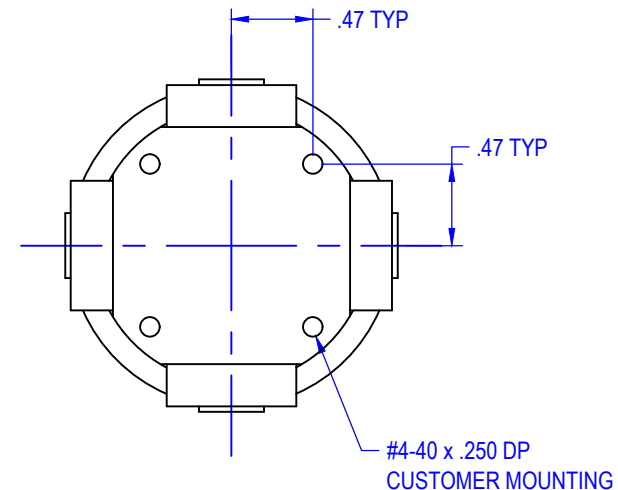
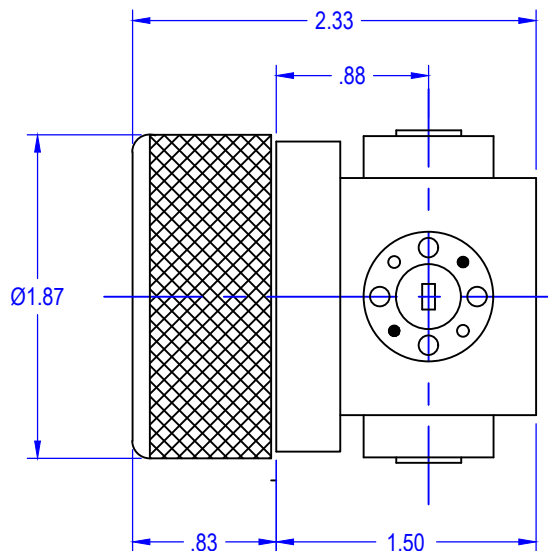
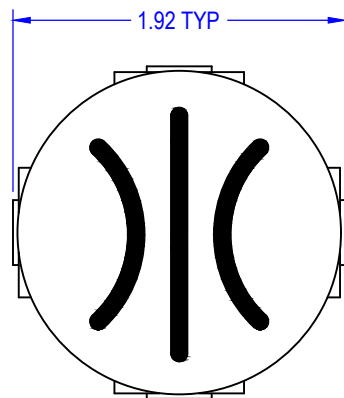


| REVISIONS |             |      |          |
|-----------|-------------|------|----------|
| REV       | DESCRIPTION | DATE | APPROVED |
| --        | --          | --   | --       |



| QTY | PART NUMBER | DESCRIPTION   |         | ITEM  |  |
|-----|-------------|---|---------|---|--|
|     |             | <p>UNLESS OTHERWISE SPECIFIED</p> <p>ALL SURFACES <math>\sqrt{32}</math></p> <p>DIMENSIONS ARE IN INCHES<br/> TOLERANCES ARE:<br/> DECIMALS: .1234 +/- .0005<br/> .123 +/- .005<br/> .12 +/- .01<br/> ANGLES: +/- .0 DEGREES</p> <p>ALL THREADS TO BE 2A OR 2B</p> <p>REF DWG# --</p> |         | <p>THIRD ANGLE PROJECTION</p> <p>DRAFTING: MRN</p> <p>APPROVED: M.S.</p> <p>DATE: 1/14/2010</p> | <p><b>Mi-Wave</b><br/>Millimeter Products Inc.</p> <p>TITLE<br/> <b>530V-J(WR-3)/387<br/> MANUAL WAVEGUIDE<br/> SWITCH OUTLINE</b></p> |
|     |             | SHEET NO.<br>1  | OF<br>1 | SIZE<br>A   |  |
|     |             | DWG NO<br>20931   |         |   |  |