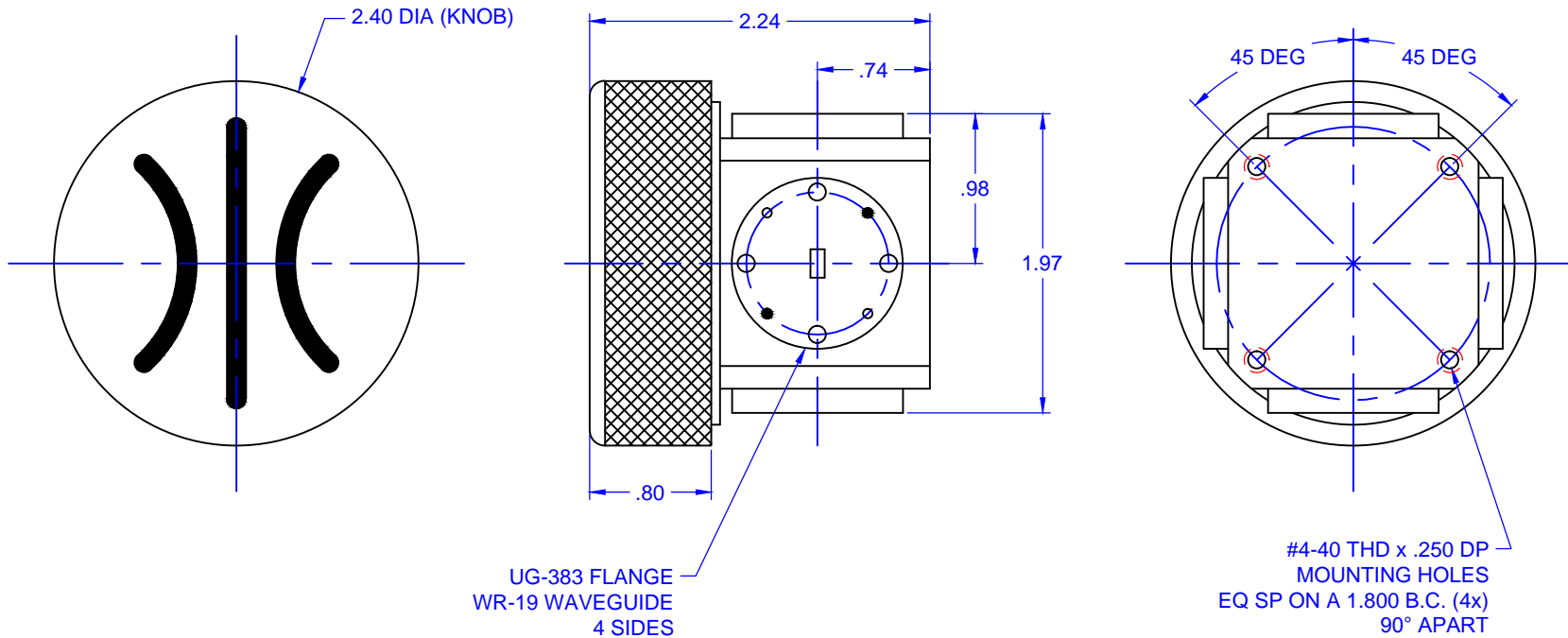


REVISIONS			
REV	DESCRIPTION	DATE	APPROVED
--	--	--	--



--		--		OUTLINE		--	
QTY	PART NUMBER	DESCRIPTION				ITEM	
UNLESS OTHERWISE SPECIFIED		 THIRD ANGLE PROJECTION		Mi-Wave Millimeter Products Inc. TITLE <div style="text-align: center; font-size: 1.2em;">530U/383</div> <div style="text-align: center; font-size: 1.2em;">OUTLINE</div>			
ALL SURFACES $\sqrt{32}$							
DIMENSIONS ARE IN INCHES		DRAFTING: MRN		SIZE A DWG NO 20109			
TOLERANCES ARE:		APPROVED: M.S.					
DECIMALS: .1234 +/- .0005		DATE: 1/14/2010		SHEET NO. OF 1 1			
.123 +/- .005		REF DWG# -- ORIGINAL DWG# 20078					
.12 +/- .01				ALL THREADS TO BE 2A OR 2B			
ANGLES: +/- .5 DEGREES		SHEET NO. OF 1 1					
ALL THREADS TO BE 2A OR 2B				DATE: 1/14/2010			
REF DWG# --		SIZE A DWG NO 20109					
ORIGINAL DWG# 20078				SHEET NO. OF 1 1			