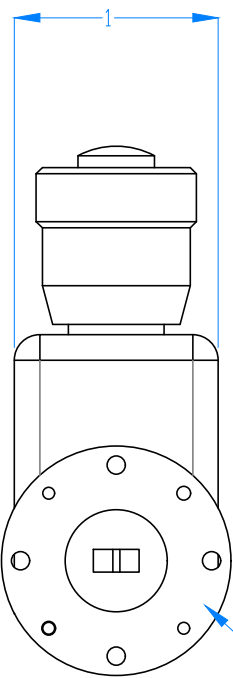
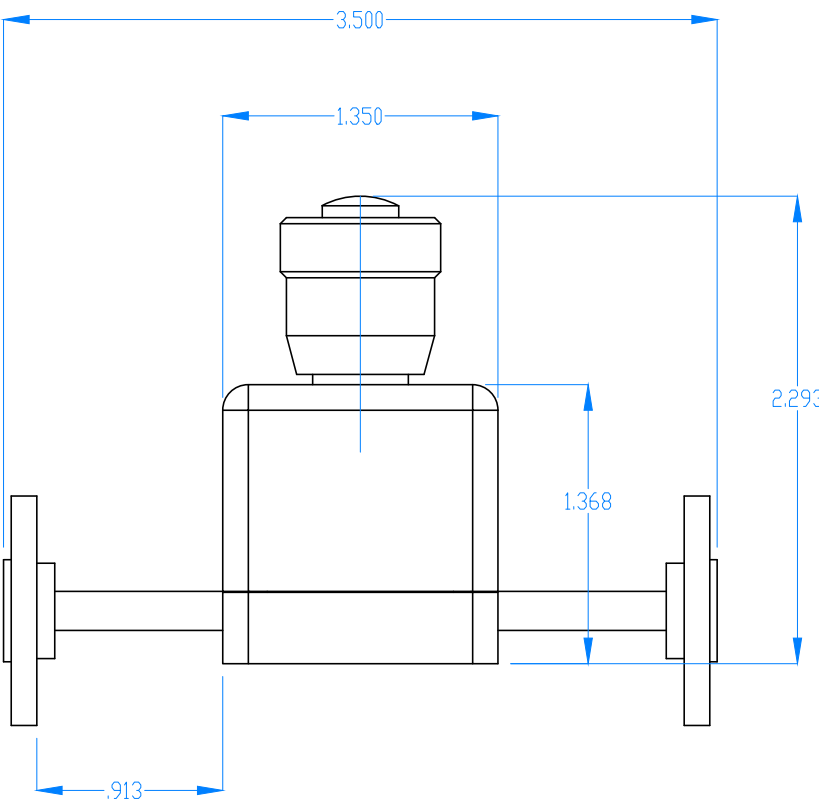
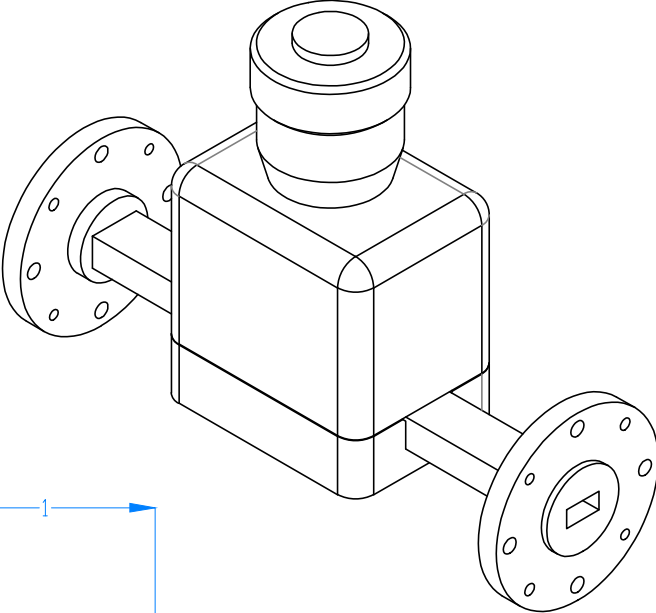
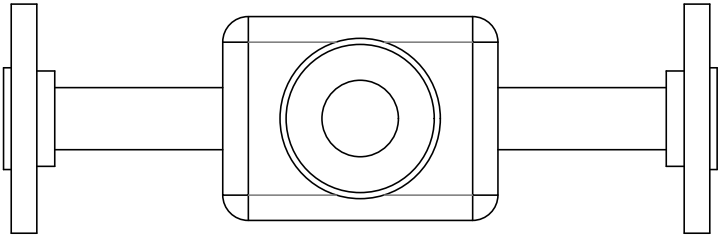


| | | | |
|--|--|--|--|
| | | | |
| | | | |



UG-383

| | | | |
|---|-------------------------------|---|----------------------|
| DECIMALS: XXXX ±.0005 XXX ±.005 XX ±.01 ANGLES: ± 5 DEGREE THIRD ANGLE PROJECTION | NAME: JV DATE: 10-10-15 | TITLE: Mi-Wave Millimeter Products Inc. SIZE: A DWG. NO.: 527B ATTENUATOR_OUTLINE_25467 SCALE: 1:1 | REV: SHEET 1 OF 1 |
| | CHECKED: MS DATE: 10-10-15 | | |
| | ENG: MS DATE: 10-10-15 | | |
| MATL: - | WEIGHT: | SHEET 1 OF 1 | |