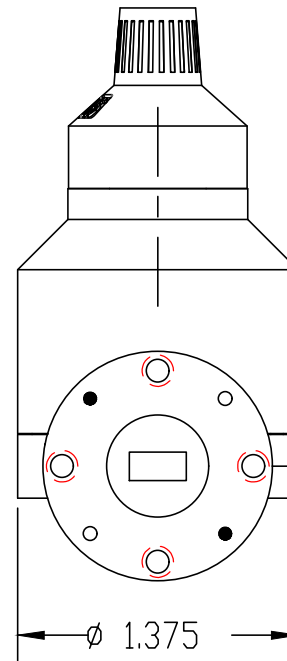
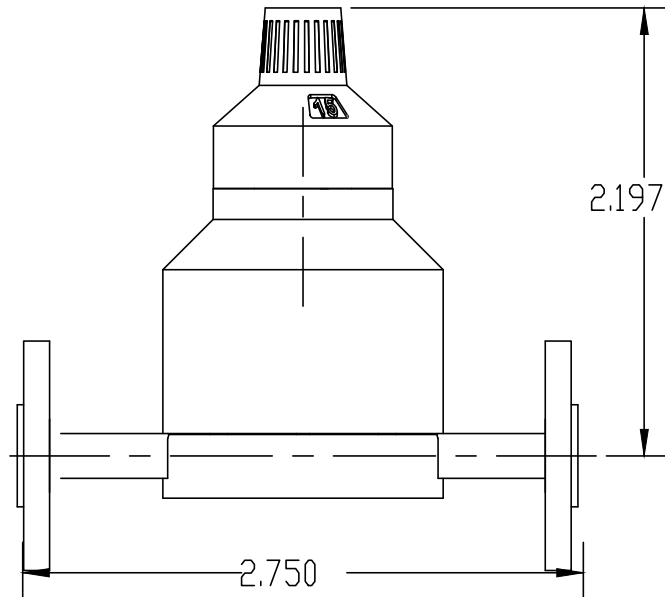
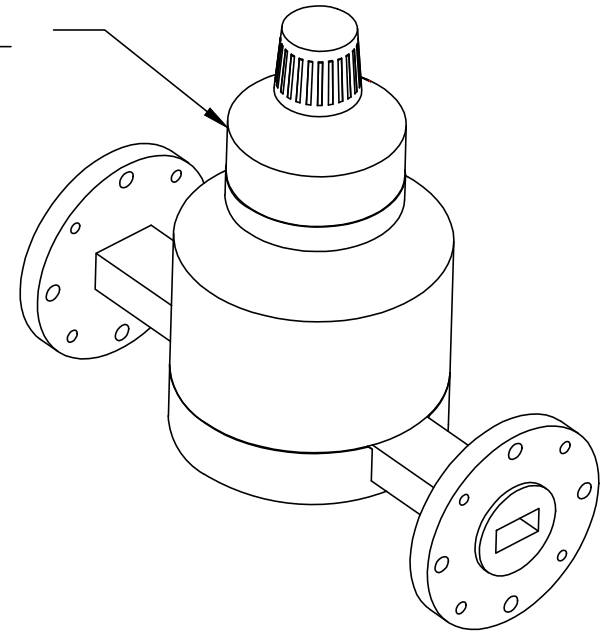
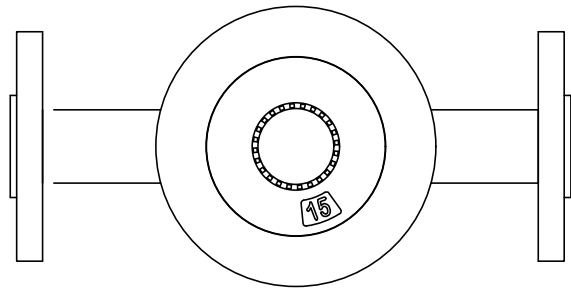


REVISIONS			
REV	DESCRIPTION	DATE	APPROVED
--	--	--	--

15-TURN COUNTING DIAL



DECIMALS: XXXX ±.0005 XXX ±.005 XX ±.01 ANGLES: ± .5 DEGREE THIRD ANGLE PROJECTION	DRAWN	CC	2-3-21	TITLE: Mi-Wave Millimeter Products Inc. SIZE DWG. NO. A 525U OUTLINE 25772 SCALE: 1:1 WEIGHT: SHEET 1 OF 1
	CHECKED	MS	2-3-21	
	ENG	MS	2-3-21	
	MATL:	_____		