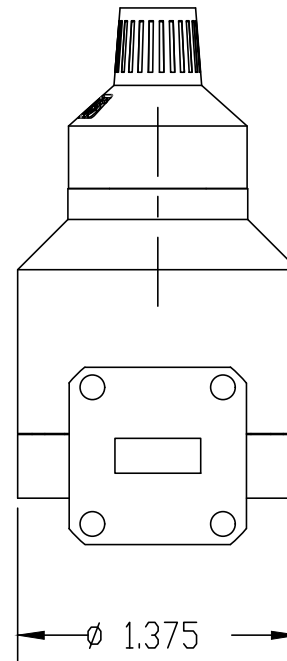
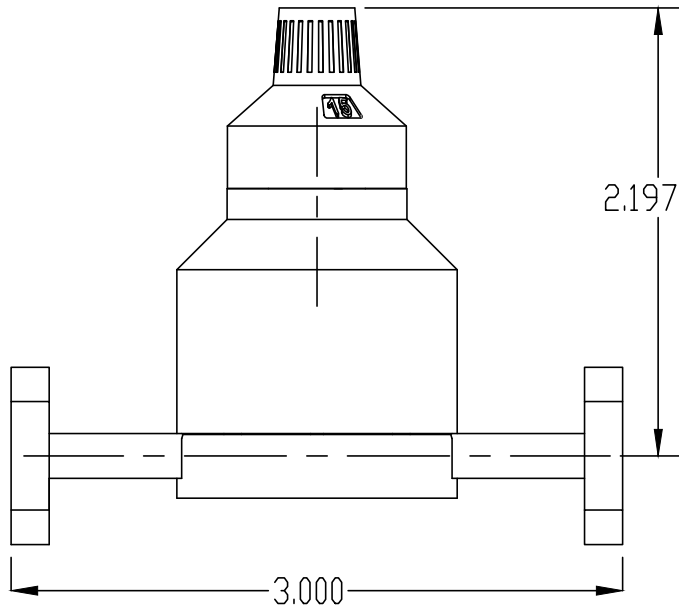
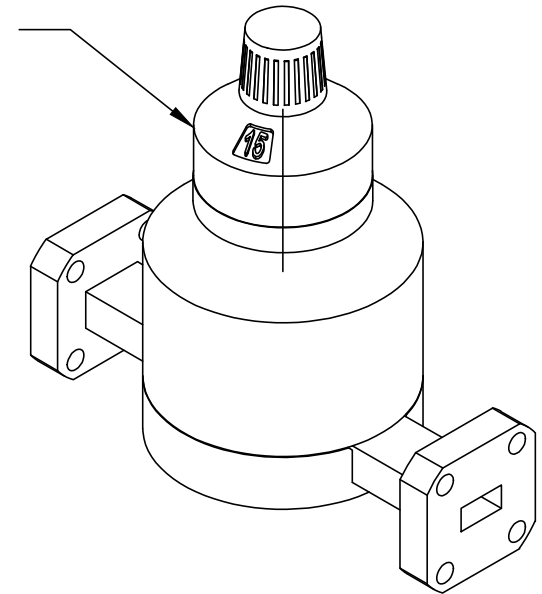
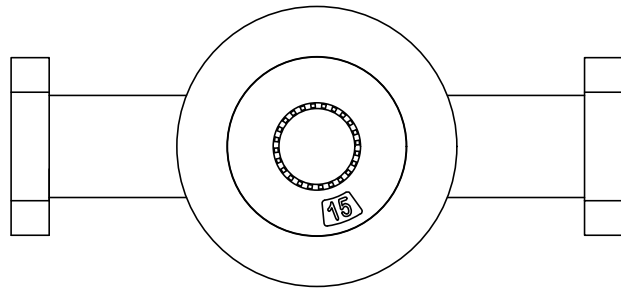


REVISIONS			
REV	DESCRIPTION	DATE	APPROVED
--	--	--	--

# 15-TURN COUNTING DIAL



DECIMALS: XXXX ±.0005 XXX ±.005 XX ±.01 ANGLES: ± .5 DEGREE THIRD ANGLE PROJECTION	DRAWN CC 2-3-21 CHECKED MS 2-3-21 ENG MS 2-3-21	NAME DATE CC 2-3-21 MS 2-3-21 MS 2-3-21	TITLE: Mi-Wave Millimeter Products Inc. SIZE DWG. NO. A 525K_OUTLINE_25777 SCALE: 1:1 WEIGHT: SHEET 1 OF 1
	MATL: _____		REV
	_____		_____