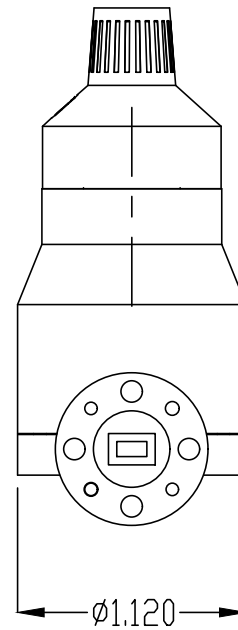
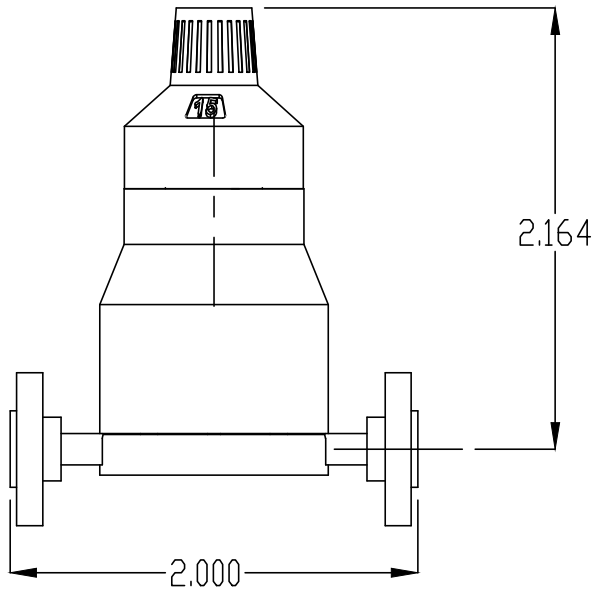
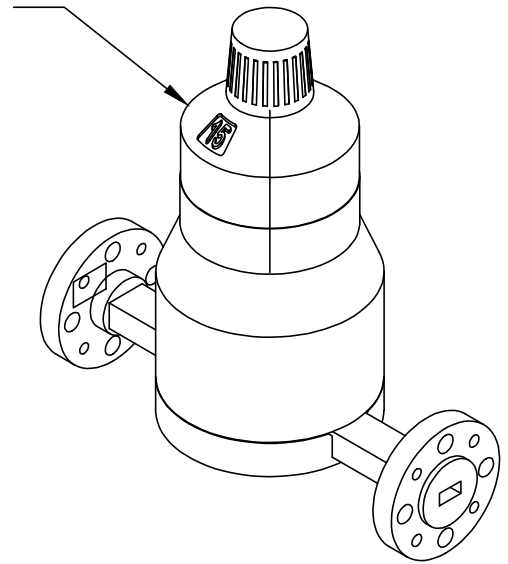
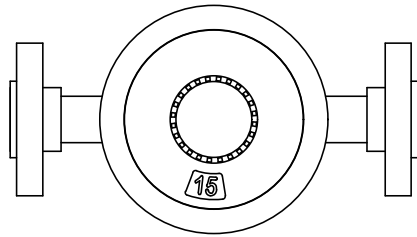


# 15-TURN COUNTING DIAL



	NAME	DATE	TITLE: Mi-Wave Millimeter Products Inc.		
DRAWN	CC	2-3-21	SIZE	DWG. NO.	REV
CHECKED			A	525G OUTLINE_25768	
MATL:	-		SCALE: 1:1		WEIGHT:
					SHEET 1 OF 1