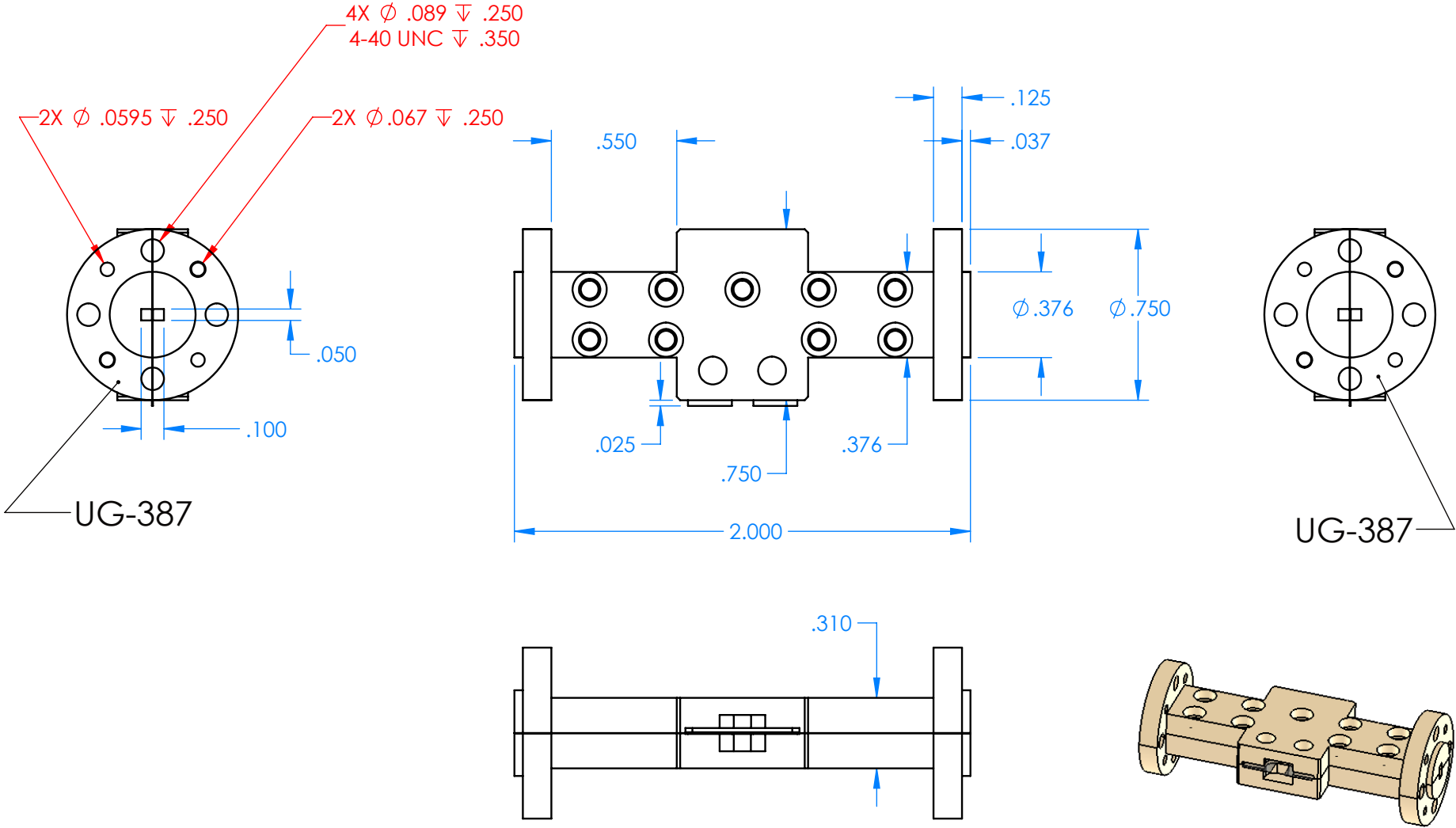


REVISIONS			
REV	DESCRIPTION	DATE	APPROVED
-	-	-	-



ALL DIMENSIONS ARE
REFERENCE ONLY

DECIMALS: XXXX ±.0005 XXX ±.005 XX ±.01	ANGLES: ± .5 DEGREE	THIRD ANGLE PROJECTION	<table border="1"> <thead> <tr> <th>NAME</th> <th>DATE</th> </tr> </thead> <tbody> <tr> <td>DRAWN JV</td> <td>7-16-18</td> </tr> <tr> <td>CHECKED MS</td> <td>7-16-18</td> </tr> <tr> <td>ENG MS</td> <td>7-16-18</td> </tr> </tbody> </table>	NAME	DATE	DRAWN JV	7-16-18	CHECKED MS	7-16-18	ENG MS	7-16-18	TITLE: Mi-Wave Millimeter Products Inc.	SIZE A	DWG. NO. 521W-387-OULTLINE	REV -
NAME	DATE														
DRAWN JV	7-16-18														
CHECKED MS	7-16-18														
ENG MS	7-16-18														
MATERIAL: 6061 T6 ALUMINUM			SCALE: 3:2	WEIGHT:	SHEET 1 OF 1										