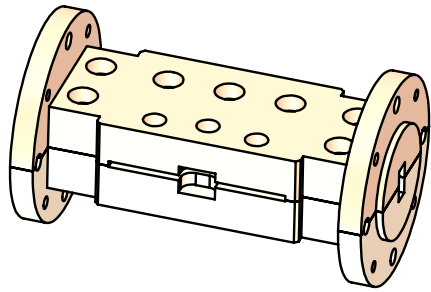
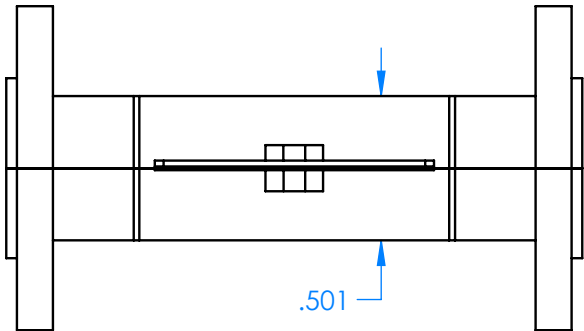
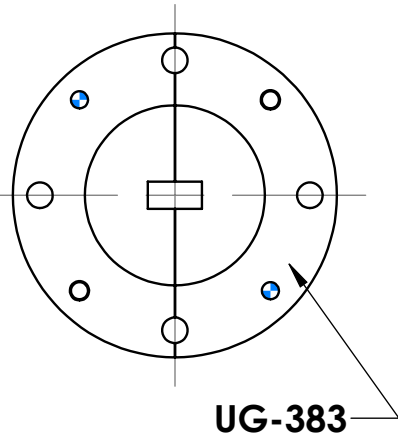
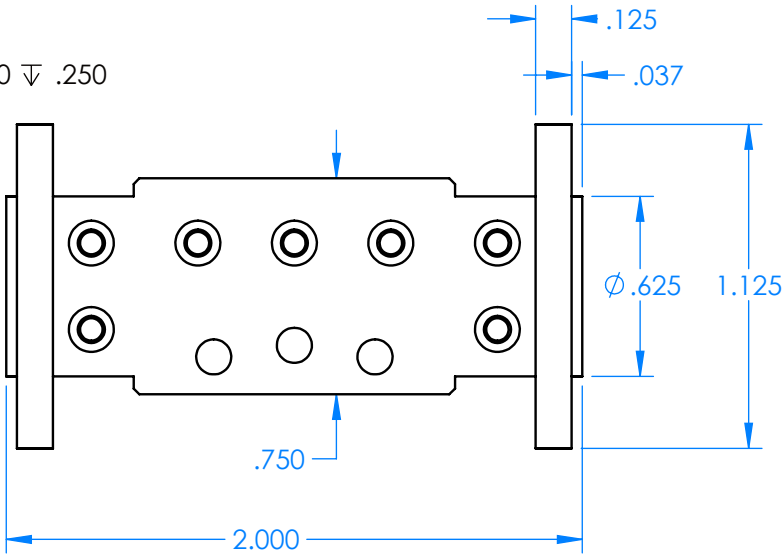
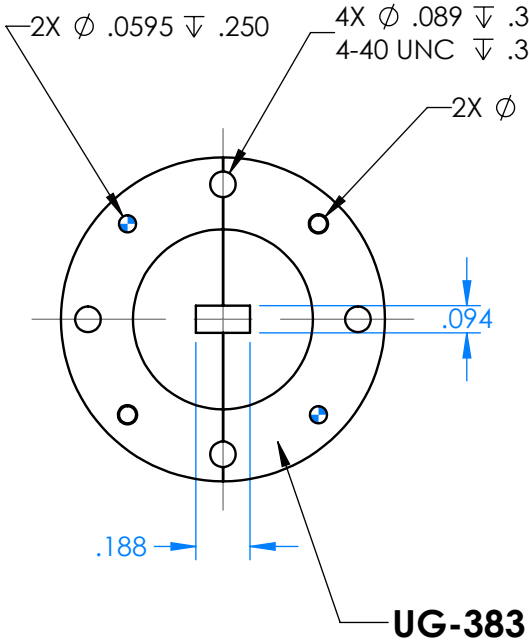


REVISIONS			
REV	DESCRIPTION	DATE	APPROVED
-	-	-	-



ALL DIMENSIONS ARE REFERENCE ONLY

DECIMALS: XXXX \pm .0005 XXX \pm .005 XX \pm .01	ANGLES: \pm .5 DEGREE	THIRD ANGLE PROJECTION	<table border="1"> <tr> <td>NAME</td> <td>DATE</td> </tr> <tr> <td>DRAWN JV</td> <td>7-16-18</td> </tr> <tr> <td>CHECKED MS</td> <td>7-16-18</td> </tr> <tr> <td>ENG MS</td> <td>7-16-18</td> </tr> </table>	NAME	DATE	DRAWN JV	7-16-18	CHECKED MS	7-16-18	ENG MS	7-16-18	TITLE: Mi-Wave Millimeter Products Inc.	SIZE DWG. NO. 521U-383-OULTLINE_24071	REV -
NAME	DATE													
DRAWN JV	7-16-18													
CHECKED MS	7-16-18													
ENG MS	7-16-18													
MATERIAL: 6061 T6 ALUMINUM			SCALE: 3:2	WEIGHT:	SHEET 1 OF 1									