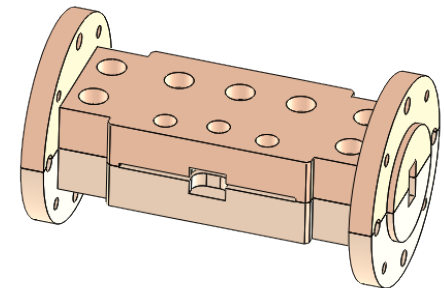
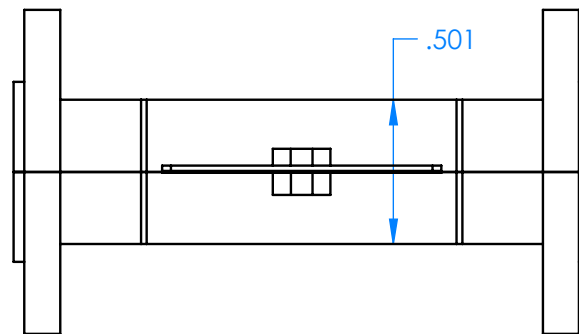
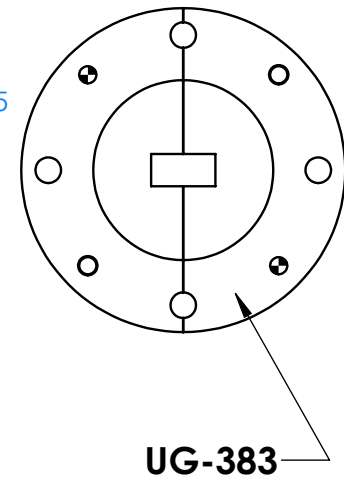
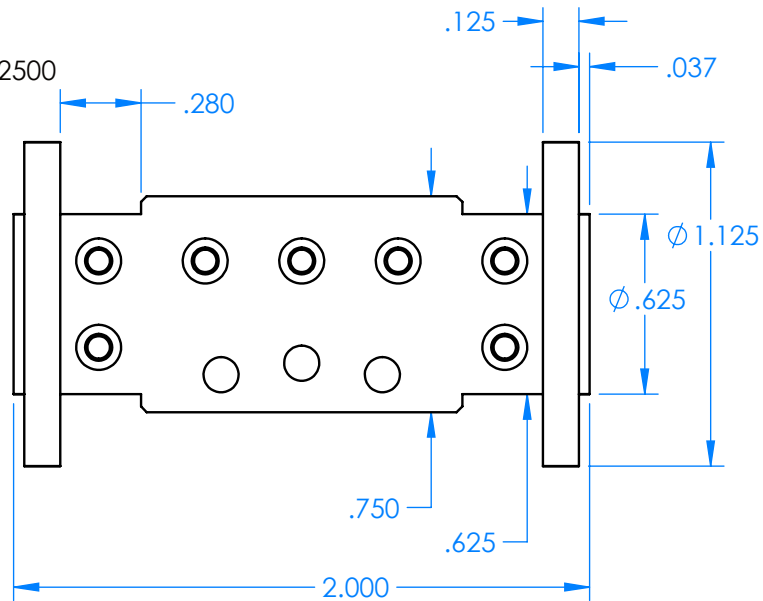
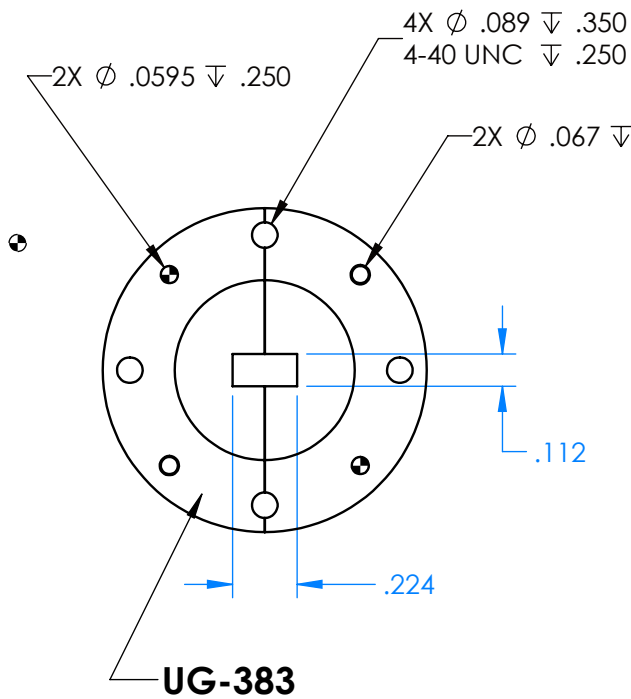


REVISIONS			
REV	DESCRIPTION	DATE	APPROVED
-	-	-	-



**ALL DIMENSIONS ARE  
REFERENCE ONLY**

DECIMALS: XXXX $\pm$ .0005 XXX $\pm$ .005 XX $\pm$ .01	ANGLES: $\pm$ .5 DEGREE	THIRD ANGLE PROJECTION	<table border="1"> <tr> <td>NAME</td> <td>DATE</td> </tr> <tr> <td>DRAWN JV</td> <td>7-16-18</td> </tr> <tr> <td>CHECKED MS</td> <td>7-16-18</td> </tr> <tr> <td>ENG MS</td> <td>7-16-18</td> </tr> </table>	NAME	DATE	DRAWN JV	7-16-18	CHECKED MS	7-16-18	ENG MS	7-16-18	TITLE: <b>Mi-Wave Millimeter Products Inc.</b> SIZE DWG. NO. <b>A</b> 521B-383-OUTLINE_24067 SCALE: 3:2	REV - SHEET 1 OF 1
NAME	DATE												
DRAWN JV	7-16-18												
CHECKED MS	7-16-18												
ENG MS	7-16-18												
MATERIAL: <b>6061 T6 ALUMINUM</b>			WEIGHT:										