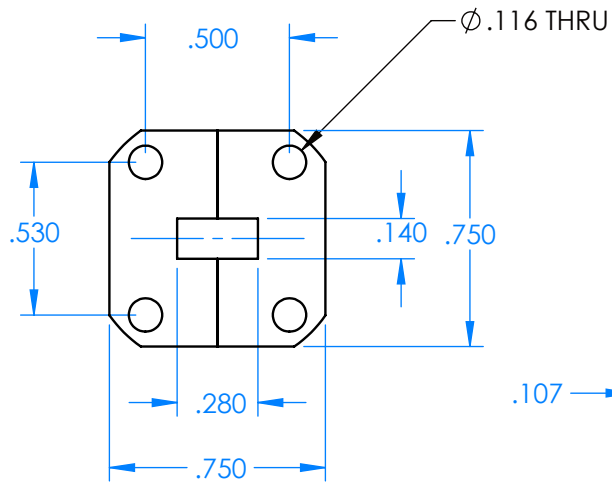
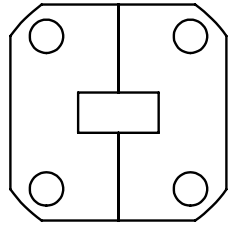
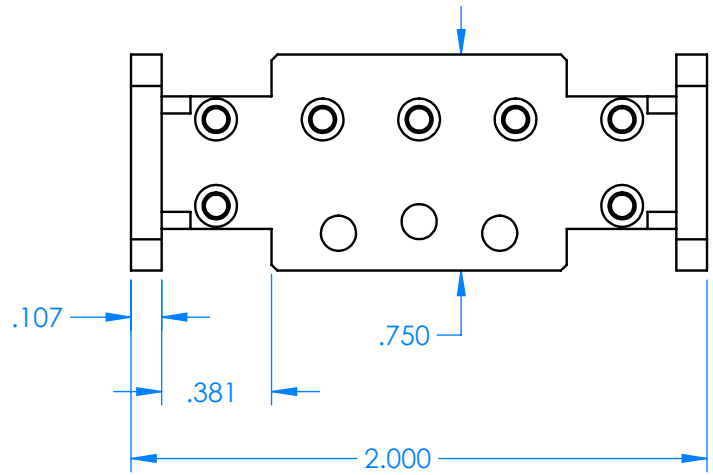


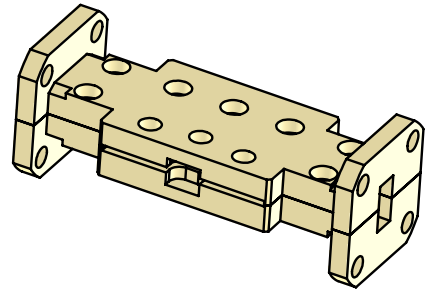
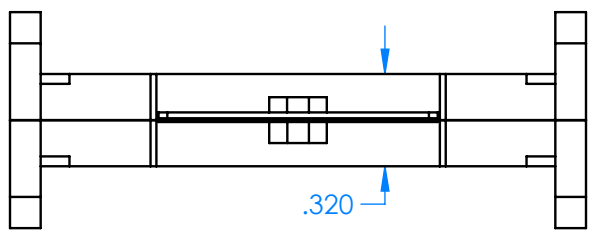
REVISIONS			
REV	DESCRIPTION	DATE	APPROVED
-	-	-	-



UG-599



UG-599



ALL DIMENSIONS ARE REFERENCE ONLY

DECIMALS: XXXX ±.0005 XXX ±.005 XX ±.01	ANGLES: ± .5 DEGREE	THIRD ANGLE PROJECTION	<table border="1"> <tr> <td>DRAWN</td> <td>JV</td> <td>9-27-18</td> </tr> <tr> <td>CHECKED</td> <td>MS</td> <td>9-27-18</td> </tr> <tr> <td>ENG</td> <td>MS</td> <td>9-27-18</td> </tr> </table>	DRAWN	JV	9-27-18	CHECKED	MS	9-27-18	ENG	MS	9-27-18	<table border="1"> <tr> <td>NAME</td> <td>DATE</td> </tr> <tr> <td>JV</td> <td>9-27-18</td> </tr> <tr> <td>MS</td> <td>9-27-18</td> </tr> <tr> <td>MS</td> <td>9-27-18</td> </tr> </table>	NAME	DATE	JV	9-27-18	MS	9-27-18	MS	9-27-18	TITLE: Mi-Wave Millimeter Products Inc. SIZE DWG. NO. A 521A-599-OUTLINE_24297 SCALE: 3:2	REV - SHEET 1 OF 1
DRAWN	JV	9-27-18																					
CHECKED	MS	9-27-18																					
ENG	MS	9-27-18																					
NAME	DATE																						
JV	9-27-18																						
MS	9-27-18																						
MS	9-27-18																						
MATERIAL: 6061 T6 ALUMINUM			WEIGHT:																				