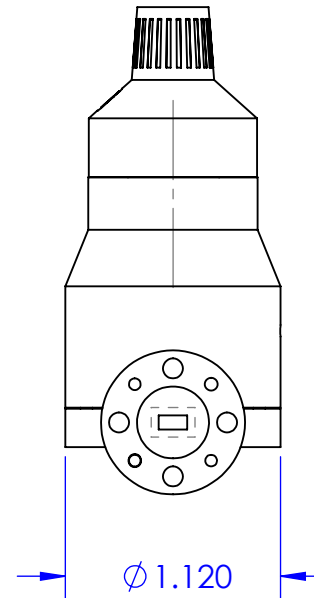
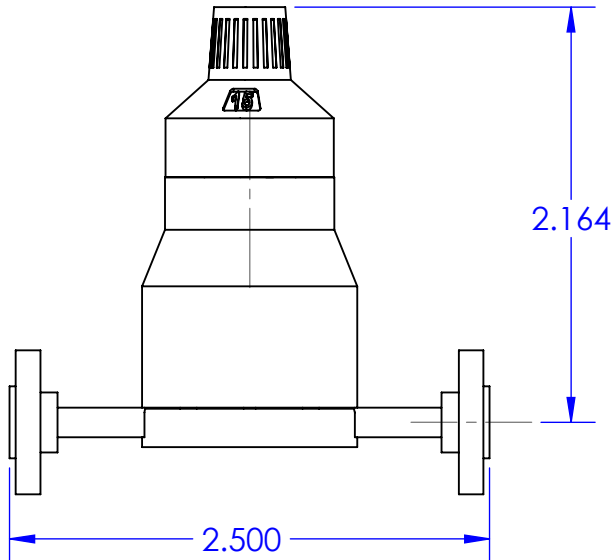
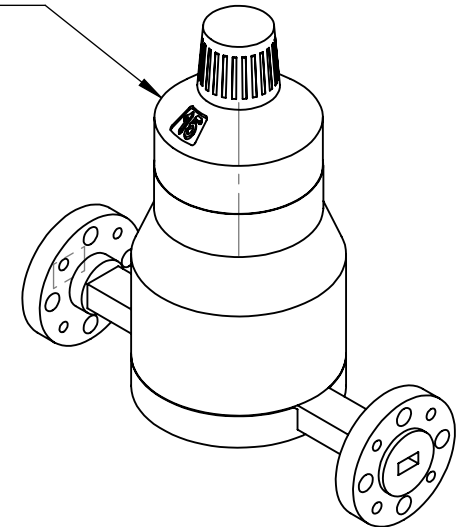
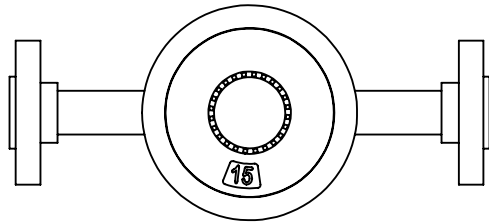


15-TURN COUNTING DIAL



V-E-W = 2.500 AS SHOWN
F-D-G = 2.000

	NAME	DATE	TITLE:	Mi-Wave Millimeter Products Inc.	
DRAWN	JV	6-25-13	SIZE	DWG. NO.	REV
CHECKED			A	520 V-G Assembly Outline 21969	
MATL:	-		SCALE: 1:1	WEIGHT:	SHEET 1 OF 1