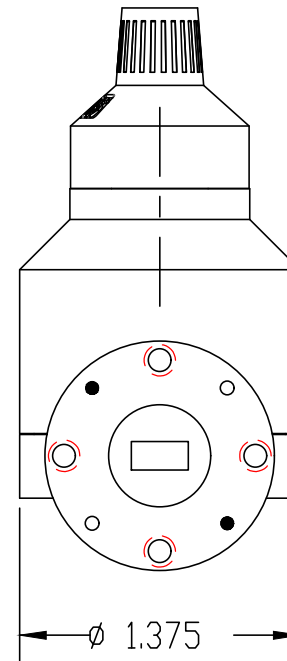
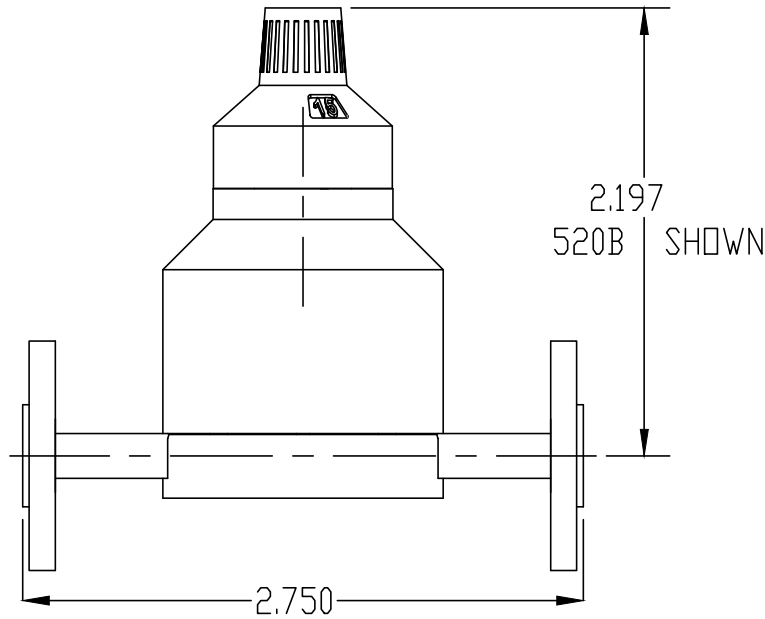
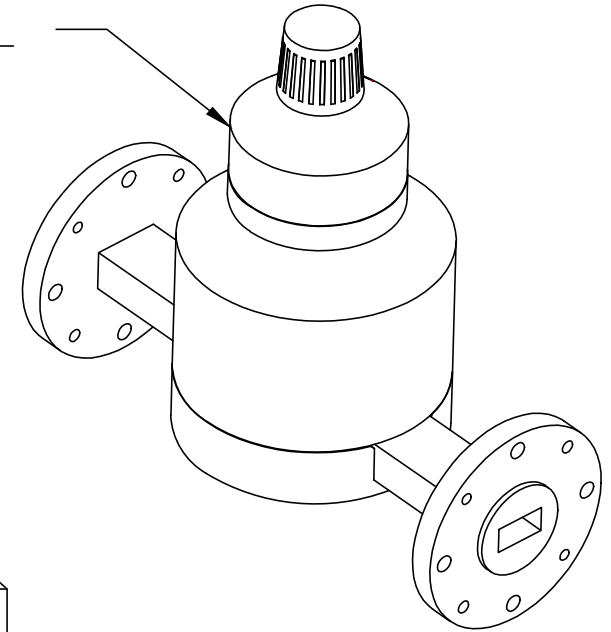
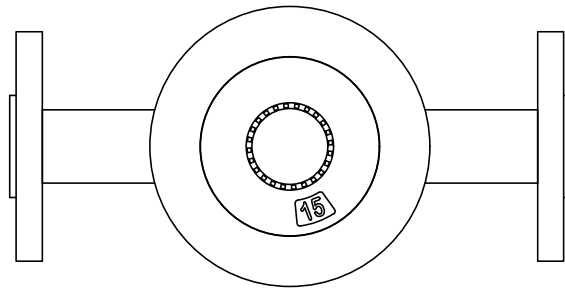


REVISIONS			
REV	DESCRIPTION	DATE	APPROVED
--	--	--	--

# 15-TURN COUNTING DIAL



DECIMALS: XXXX ±.0005 XXX ±.005 XX ±.01	DRAWN: JV	NAME: JV	DATE: 8-19-16	TITLE: Mi-Wave Millimeter Products Inc.		REV
ANGLES: ± 5 DEGREE	CHECKED: MS	ENG: MS	DATE: 8-19-16	SIZE: A	DWG. NO.: 520B OUTLINE_25484	REV
THIRD ANGLE PROJECTION	MATERIAL: _____			SCALE: 1:1	WEIGHT:	SHEET 1 OF 1