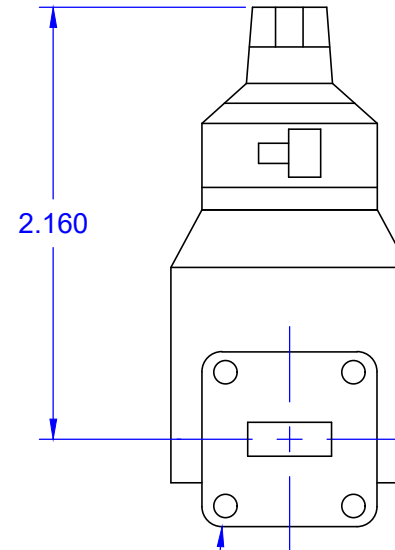
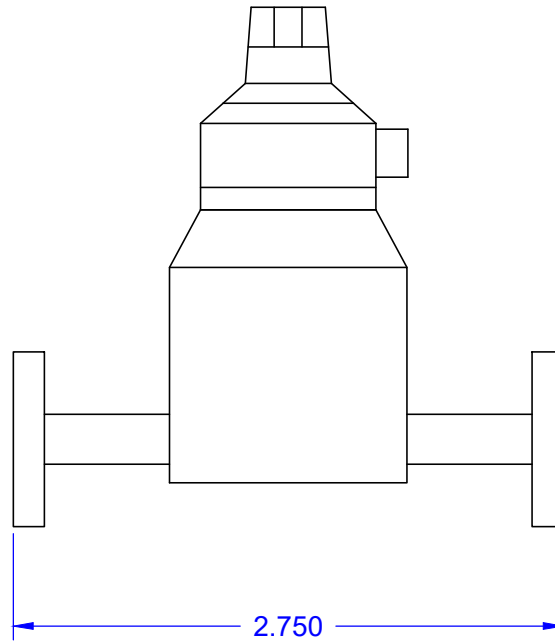
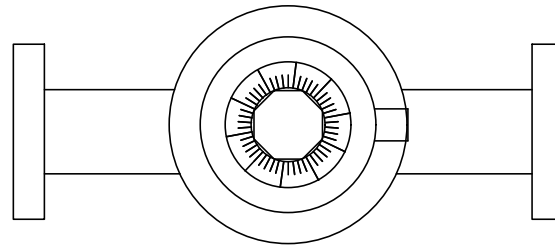


REVISIONS			
REV	DESCRIPTION	DATE	APPROVED
--	--	--	--



WR-34 WAVEGUIDE  
UG 595 FLANGE

QTY	PART NUMBER	OUTLINE		ITEM
		DESCRIPTION		
UNLESS OTHERWISE SPECIFIED ALL SURFACES $\sqrt{32}$		<p>THIRD ANGLE PROJECTION</p>	<b>Mi-Wave</b> Millimeter Products Inc.  TITLE <b>520(WR-34)/595 OUTLINE</b>	
DIMENSIONS ARE IN INCHES TOLERANCES ARE: DECIMALS: .1234 +/- .0005 .123 +/- .005 .12 +/- .01 ANGLES: +/- .5 DEGREES				
ALL THREADS TO BE 2A OR 2B		APPROVED: MS		
REF DWG# --		DATE: 7/13/2010	SIZE	DWG NO
ORIGINAL DWG# 20175		SHEET NO. 1	OF 1	<b>A</b> 20291