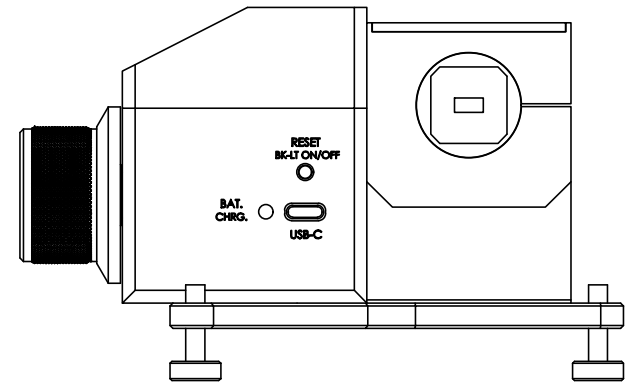
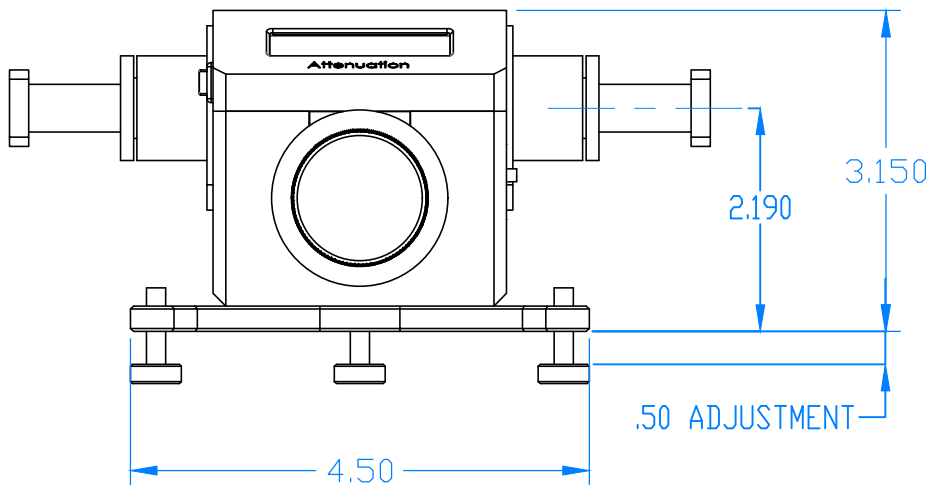
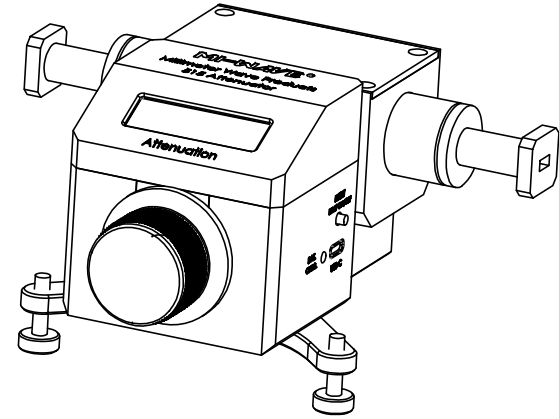
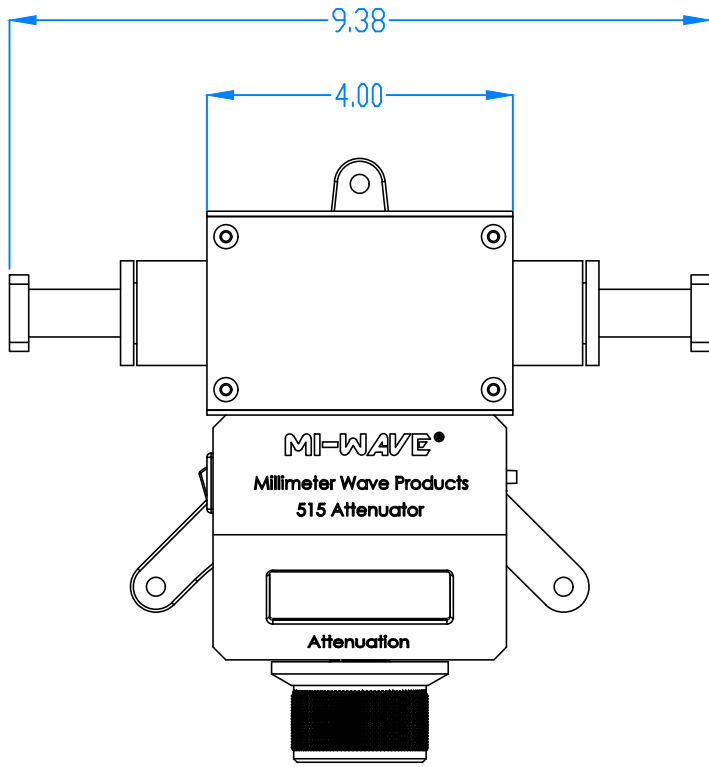


REVISIONS			
REV	DESCRIPTION	DATE	APPROVED
-	-	-	-



ALL DIMENSIONS ARE REFERENCE ONLY

DECIMALS: XXXX ±.0005 XXX ±.005 XX ±.01	DRAWN: JV	NAME: MS	DATE: 2-20-20
ANGLES: ± 5 DEGREE	CHECKED: MS	NAME: LS	DATE: 2-20-20
THIRD ANGLE PROJECTION	MATERIAL: 6061 T6 ALUMINUM		

TITLE: Millimeter Wave Products Inc.		REV: -
SIZE: A	DWG. NO.: 515KB ATTENUATOR_OUTLINE_25407	REV: -
SCALE: 1:2	WEIGHT:	SHEET 1 OF 1