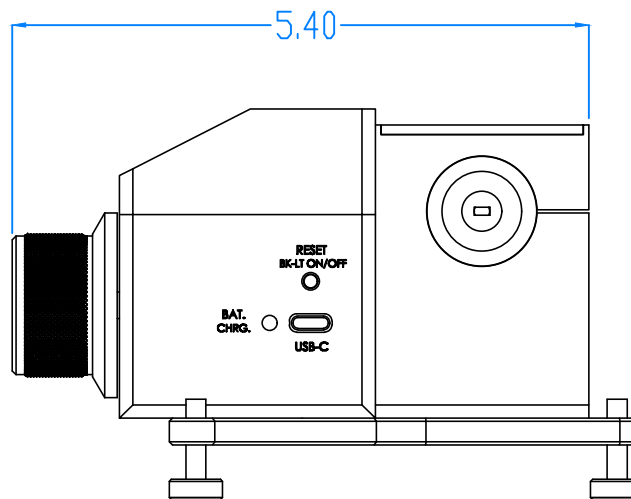
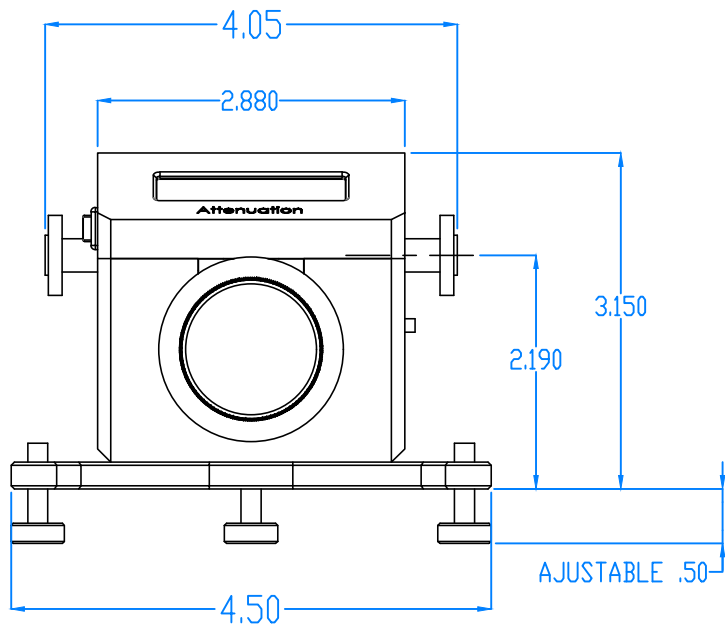
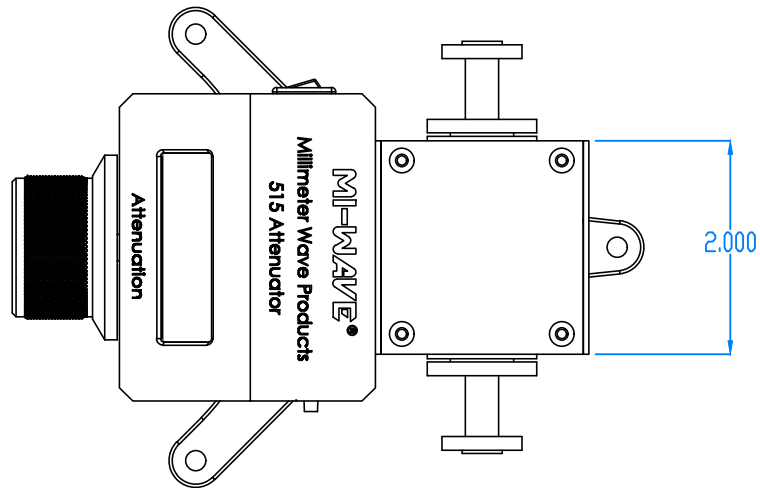
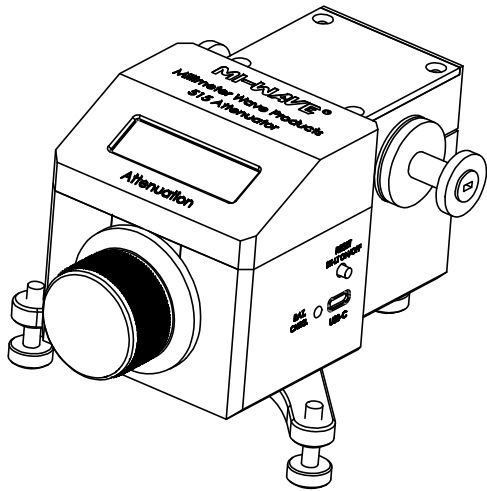


REVISIONS			
REV	DESCRIPTION	DATE	APPROVED
-	-	-	-



ALL DIMENSIONS ARE REFERENCE ONLY

DECIMALS: XXXX ±.0005 XXX ±.005 XX ±.01	DRAWN: JY CHECKED: MS ENG: HW	NAME: JY DATE: 5-30-19	TITLE: Millimeter Wave Products Inc.	REV: -
ANGLES: ± 5 DEGREES	MATL:	SIZE: B	DWG. NO.: 515V_Attenuator_OUTLINE_25402	
THIRD ANGLE PROJECTION		SCALE: 1:1.25	WEIGHT:	SHEET 1 OF 1