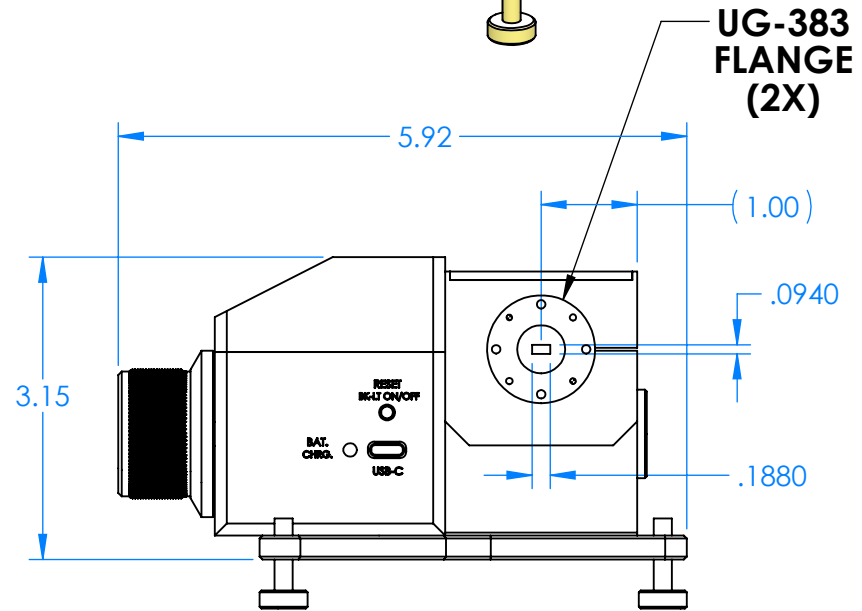
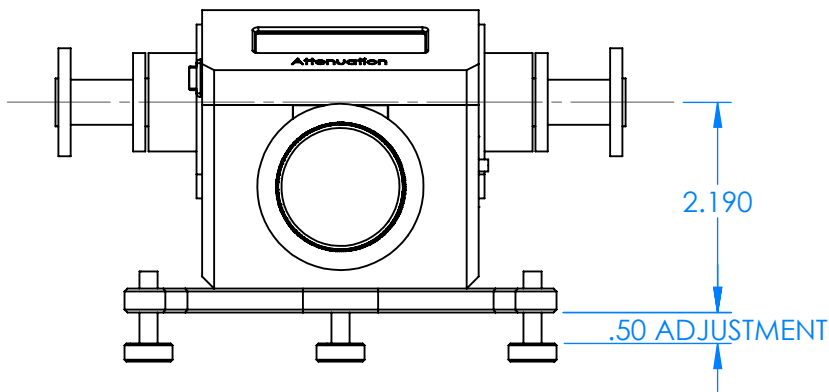
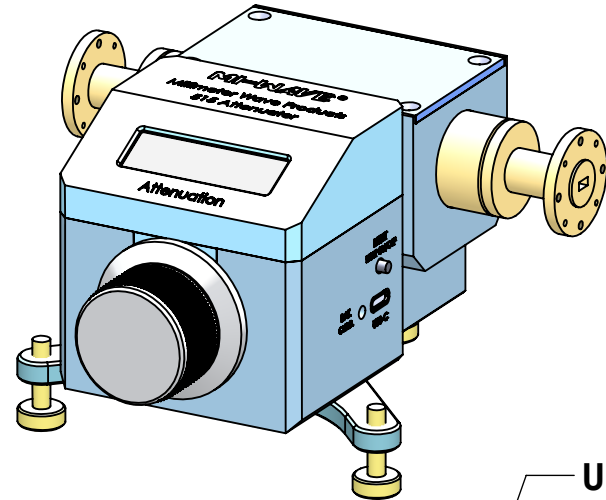
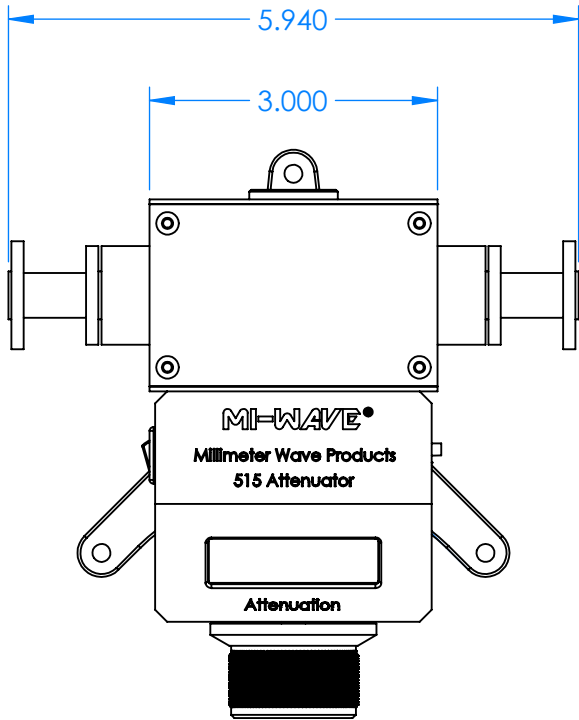


REVISIONS			
REV	DESCRIPTION	DATE	APPROVED
-	-	-	-



ALL DIMENSIONS ARE
REFERENCE ONLY

DECIMALS: XXXX ±.0005 XXX ±.005 XX ±.01	NAME	DATE
ANGLES: ± .5 DEGREE	DRAWN	JV 5-21-20
THIRD ANGLE PROJECTION	CHECKED	MS 5-21-20
	ENG	LS 5-21-20
	MATL:	6061 T6 ALUMINUM

TITLE: Millimeter Wave Products Inc.		REV
SIZE	DWG. NO. 515U-383_Direct Reading Attenuator_OUTLINE_25287	-
A	SCALE: 1:2	WEIGHT:
		SHEET 1 OF 1