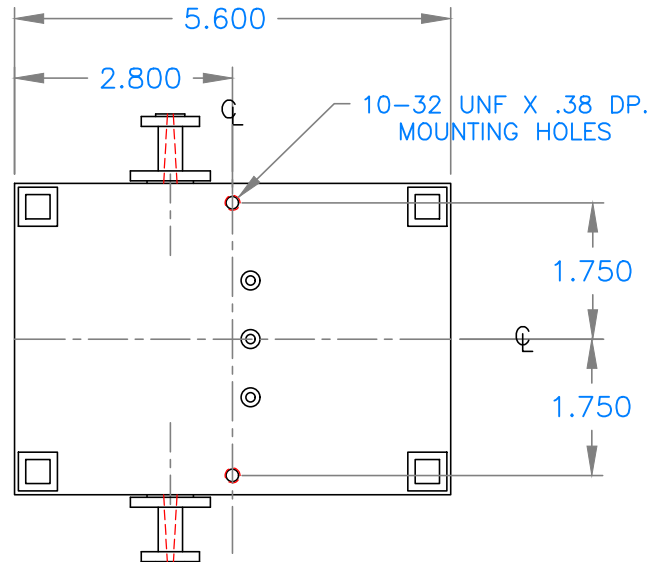
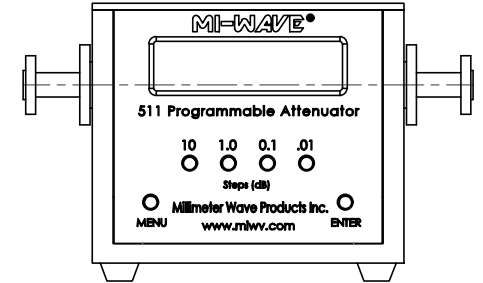
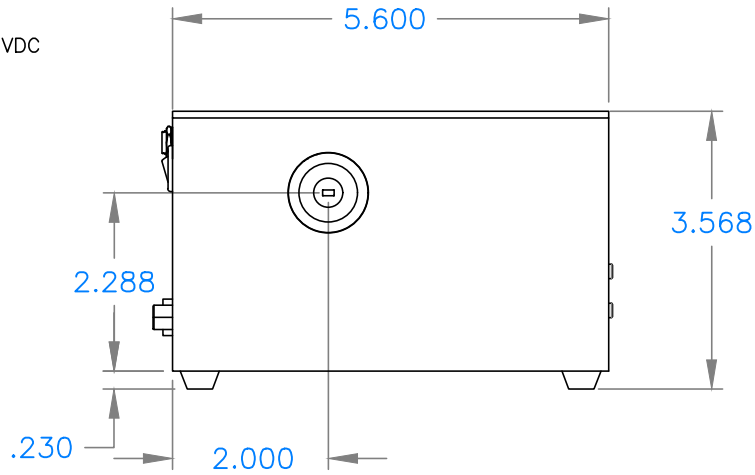
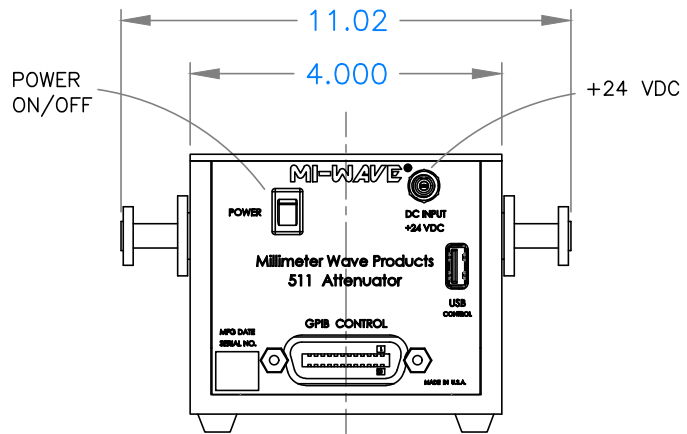


| REVISIONS |             |      |          |
|-----------|-------------|------|----------|
| REV       | DESCRIPTION | DATE | APPROVED |
| -         | -           | -    | -        |



ALL DIMENSIONS REF ONLY

| QTY  | PART NUMBER | OUTLINE DESCRIPTION                             |      | ITEM          |
|--|-------------|---|------|---------------|
|  |             | Mi-Wave<br>Millimeter Products Inc.             |      |               |
| UNLESS OTHERWISE SPECIFIED<br>ALL SURFACES $\sqrt{32}$   |             | THIRD ANGLE PROJECTION                          |      | TITLE         |
| DIMENSIONS ARE IN INCHES<br>TOLERANCES ARE:<br>DECIMALS: .1234 +/- .0005<br>.123 +/- .005<br>.12 +/- .01<br>ANGLES: +/- .5 DEGREES |             | DRAFTING: JV<br>APPROVED: M.S.<br>DATE: 7-17-18 |      | 511KU_OUTLINE |
| ALL THREADS TO BE 2A OR 2B   |             | SHEET NO. 1                                     | OF 1 | SIZE A        |
| REF DWG# ---   |             | DWG NO 25434                                    |      | REV -         |