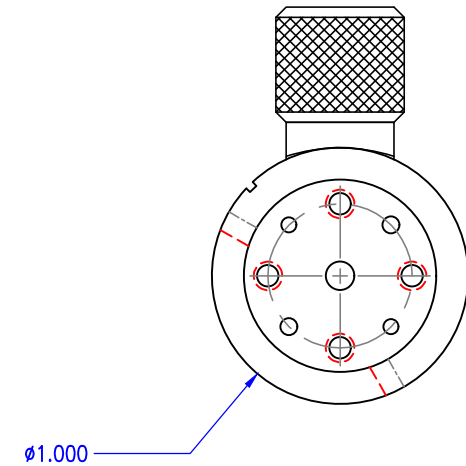
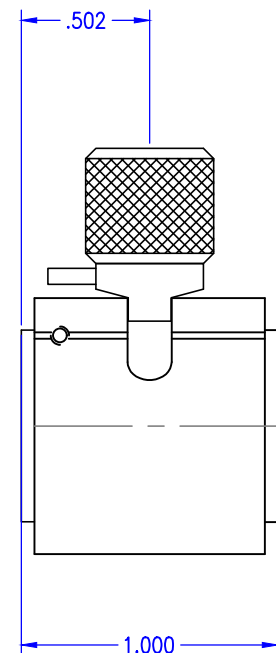
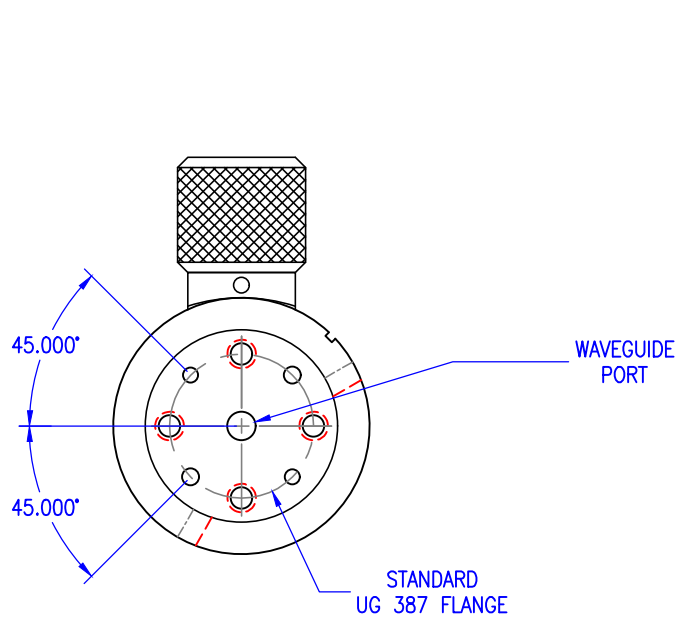


REVISIONS			
REV	DESCRIPTION	DATE	APPROVED
--	--	--	--



CIRCULAR WAVEGUIDE PORT INNER DIAMETER
0.082
0.094
0.110

QTY	PART NUMBER	MATERIAL: BLACK DELRIN	DESCRIPTION	ITEM
			Mi-Wave Millimeter Products Inc.	
UNLESS OTHERWISE SPECIFIED		 THIRD ANGLE PROJECTION		
ALL SURFACES $\sqrt{32}$				
DIMENSIONS ARE IN INCHES				
TOLERANCES ARE:				
DECIMALS: .1234 +/- .0005		DRAFTING: C.C.		
.123 +/- .006		APPROVED: M.S.		
.12 +/- .011		DATE: 11/24/2020		
ANGLES: +/- 5 DEGREES		SHEET NO. OF		
ALL THREADS TO BE 2A OR 2B		1 1		
REF DWG# 12371		SIZE A DWG NO 25700		
		TITLE 283W-387 OUTLINE		