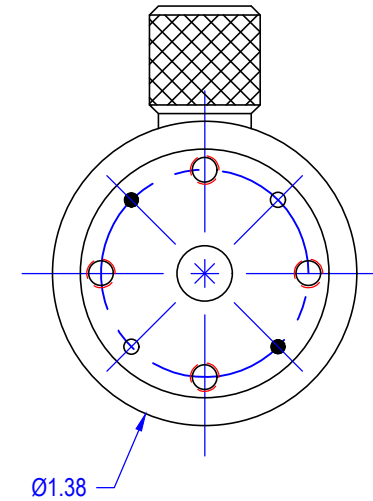
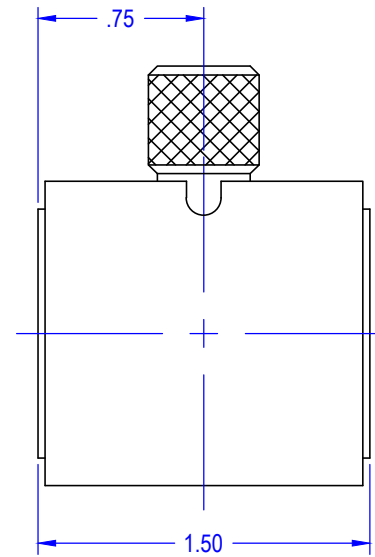
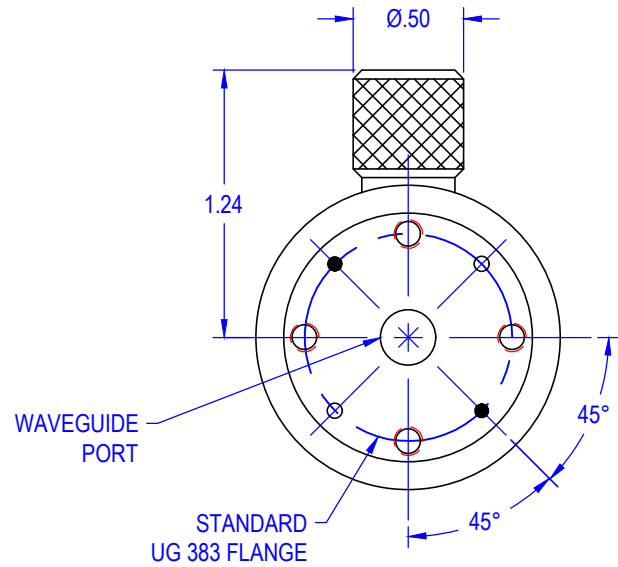


REVISIONS			
REV	DESCRIPTION	DATE	APPROVED
--	--	--	--



CIRCULAR WAVEGUIDE PORT INNER DIAMETER
0.165
0.188
0.219

QTY	PART NUMBER	OUTLINE DESCRIPTION	ITEM
--	--	OUTLINE DESCRIPTION	--
UNLESS OTHERWISE SPECIFIED		 THIRD ANGLE PROJECTION	Mi-Wave Millimeter Products Inc. TITLE 283U-383 OUTLINE
ALL SURFACES $\sqrt{32}$			
DIMENSIONS ARE IN INCHES		DRAFTING: K.S.	SIZE A
TOLERANCES ARE:		APPROVED: M.S.	
DECIMALS: .1234 +/- .0005 .123 +/- .005 .12 +/- .01 ANGLES: +/- .5 DEGREES		DATE: 8/13/2015	
ALL THREADS TO BE 2A OR 2B		SHEET NO. 1	OF 1
REF DWG# 13116		DWG NO. 25697	