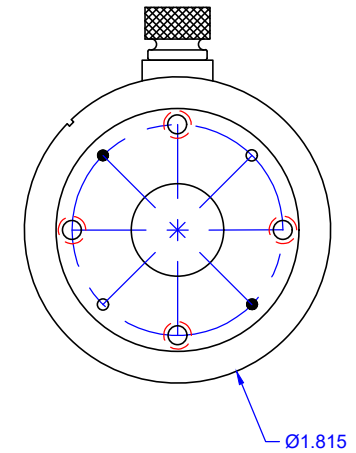
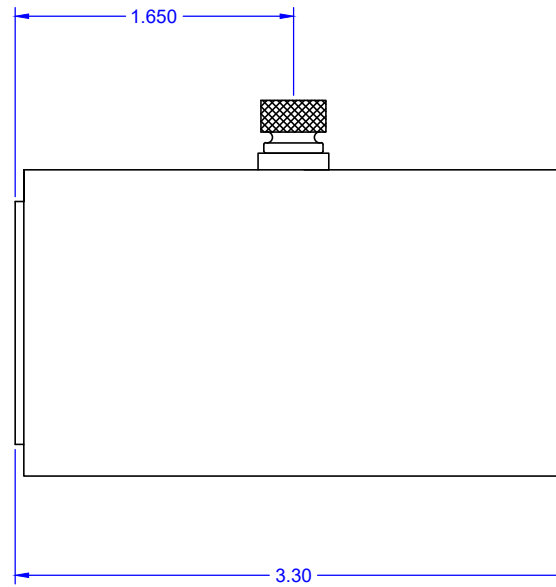
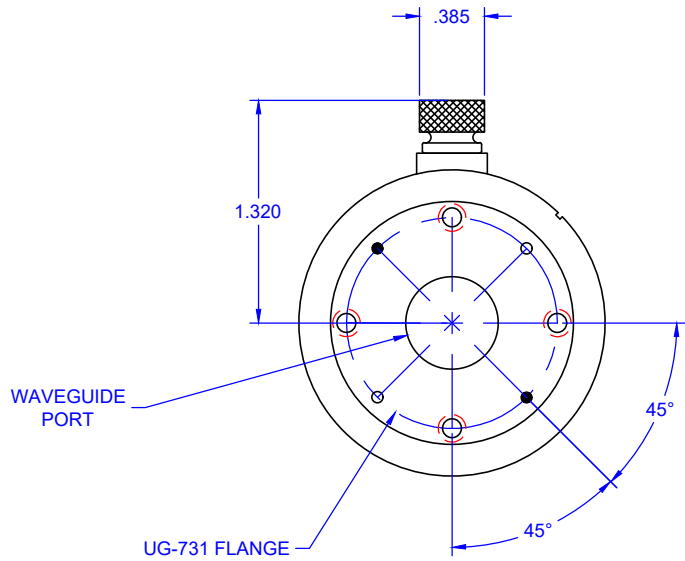


REVISIONS			
REV	DESCRIPTION	DATE	APPROVED
--	--	--	--



CIRCULAR WAVEGUIDE PORT INNER DIAMETER
0.5500
0.6600

QTY	PART NUMBER	DESCRIPTION		ITEM
	UNLESS OTHERWISE SPECIFIED ALL SURFACES 32/	 THIRD ANGLE PROJECTION		<b>Mi-Wave</b> Millimeter Products Inc.  TITLE  <b>283KU-731 OUTLINE</b>
	DIMENSIONS ARE IN INCHES TOLERANCES ARE: DECIMALS: .1234 +/- .0005 .123 +/- .005 .12 +/- .01 ANGLES: +/- .5 DEGREES ALL THREADS TO BE 2A OR 2B			
	REF DWG# --	DRAFTING: MRN	APPROVED: M.S.	
		DATE: 4/13/2012		
		SHEET NO. 1	OF 1	SIZE A
				DWG NO 25693