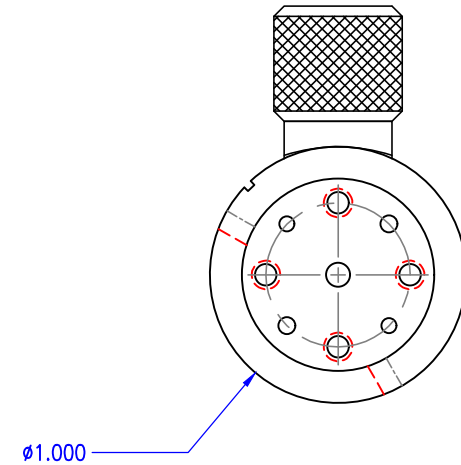
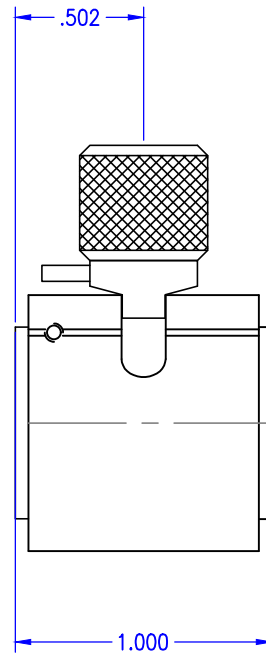
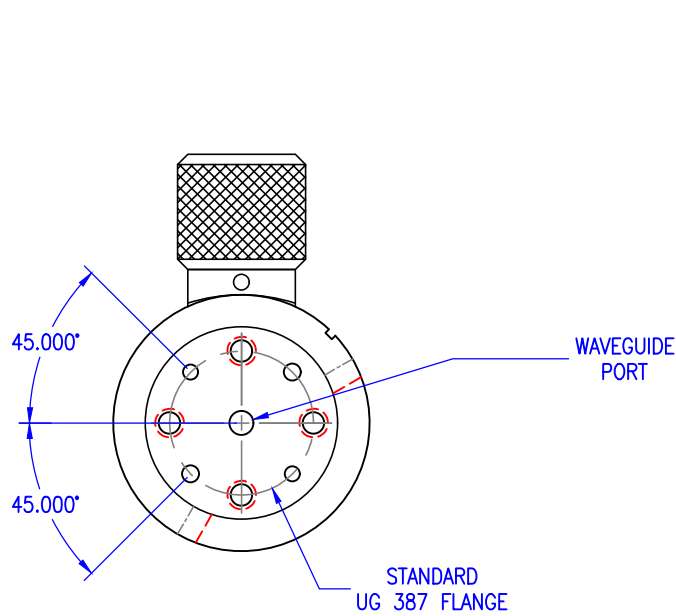


REVISIONS			
REV	DESCRIPTION	DATE	APPROVED
--	--	--	--



CIRCULAR WAVEGUIDE PORT INNER DIAMETER
0.067
0.075
0.082
0.094

QTY	PART NUMBER	DESCRIPTION	ITEM
--	--	MATERIAL: BLACK DELRIN	--
UNLESS OTHERWISE SPECIFIED		 THIRD ANGLE PROJECTION	Mi-Wave Millimeter Products Inc.
ALL SURFACES $\sqrt{32}$			
DIMENSIONS ARE IN INCHES		DRAFTING: C.C.	TITLE 283F-387 OUTLINE
TOLERANCES ARE:		APPROVED: M.S.	
DECIMALS: .1234 +/- .0005		DATE: 11/24/2020	SIZE A
ANGLES: +/- .12		SHEET NO. 1 OF 1	
ALL THREADS TO BE 2A OR 2B		DATE: 11/24/2020	DWG NO 25701
REF DWG# 12371			