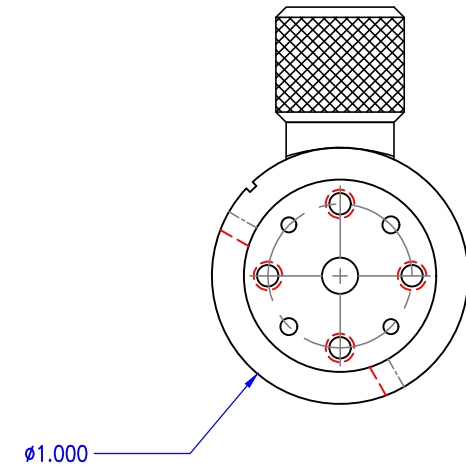
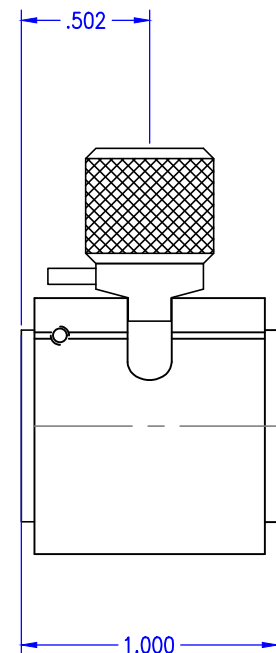
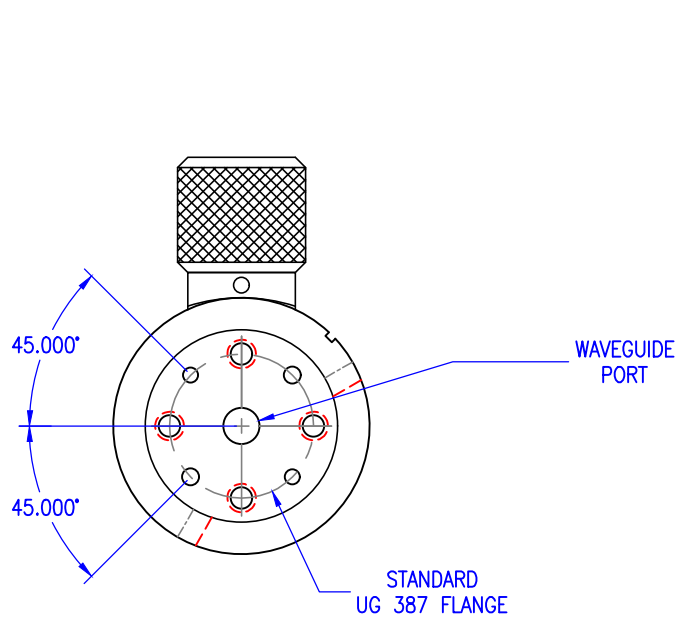


REVISIONS			
REV	DESCRIPTION	DATE	APPROVED
--	--	--	--



CIRCULAR WAVEGUIDE PORT INNER DIAMETER
0.094
0.110
0.125
0.141

QTY	PART NUMBER	MATERIAL: BLACK DELRIN		ITEM
		DESCRIPTION		
UNLESS OTHERWISE SPECIFIED		 THIRD ANGLE PROJECTION	Mi-Wave Millimeter Products Inc.	
ALL SURFACES $\sqrt{32}$				
DIMENSIONS ARE IN INCHES		DRAFTING: C.C.		TITLE
TOLERANCES ARE:		APPROVED: M.S.		
DECIMALS: .1234 +/- .0005		DATE: 11/24/2020		
ANGLES: +/- .12		SHEET NO.	OF	SIZE
ALL THREADS TO BE 2A OR 2B		1	1	A
REF DWG# 12371				DWG NO
				25699