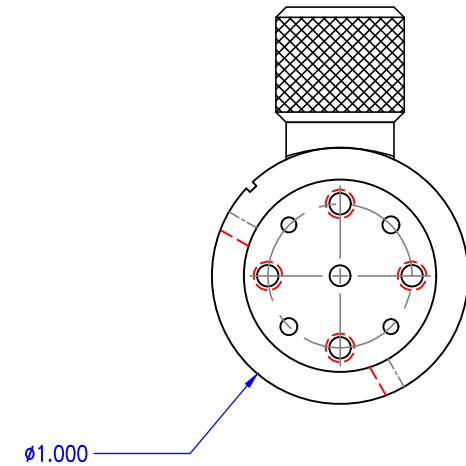
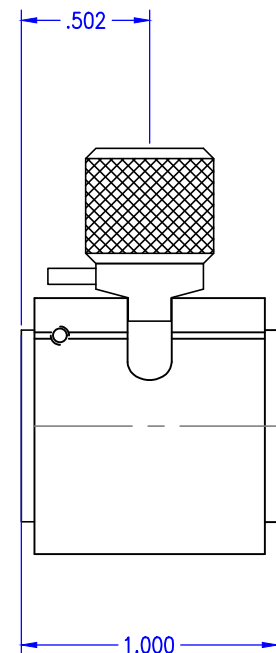
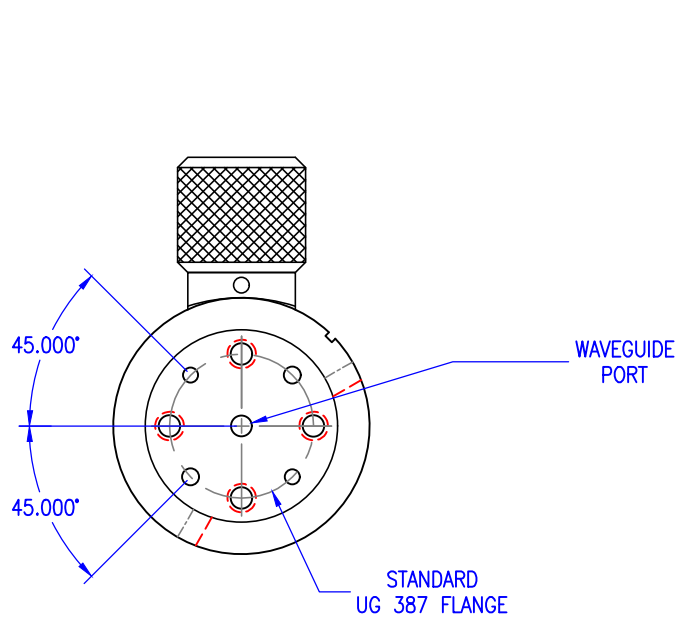


REVISIONS			
REV	DESCRIPTION	DATE	APPROVED
--	--	--	--



CIRCULAR WAVEGUIDE PORT INNER DIAMETER
0.059
0.067
0.082

QTY	PART NUMBER	MATERIAL: BLACK DELRIN		ITEM
		DESCRIPTION		
UNLESS OTHERWISE SPECIFIED		 THIRD ANGLE PROJECTION		
ALL SURFACES $\sqrt{32}$				
DIMENSIONS ARE IN INCHES				
TOLERANCES ARE:				
DECIMALS:	.1234 +/- .0005	Mi-Wave Millimeter Products Inc.		
	.123	TITLE		
	.12	283D-387		
ANGLES:	+/- 5 DEGREES	OUTLINE		
ALL THREADS TO BE 2A OR 2B		DATE: 11/24/2020		
REF DWG# 12371		SHEET NO. 1	OF 1	SIZE A DWG NO 25702