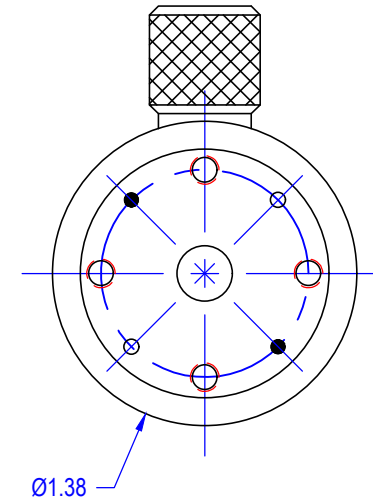
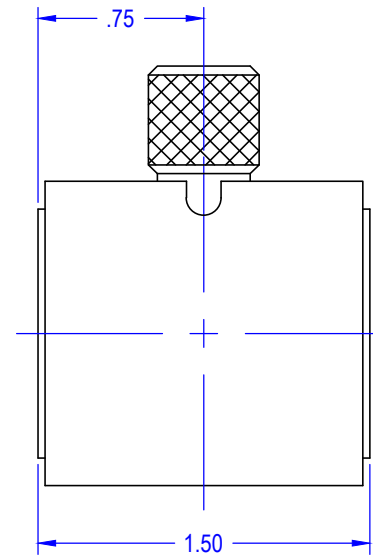
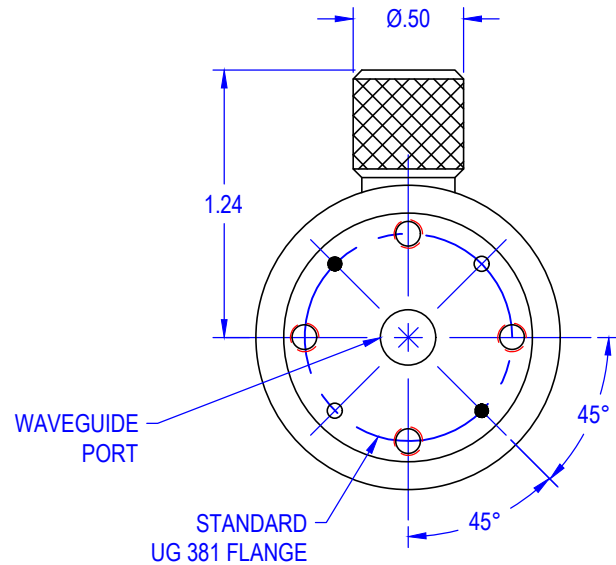


REVISIONS			
REV	DESCRIPTION	DATE	APPROVED
--	--	--	--



CIRCULAR WAVEGUIDE PORT INNER DIAMETER
0.188
0.219
0.250

QTY	PART NUMBER	OUTLINE DESCRIPTION	ITEM
--	--	OUTLINE DESCRIPTION	--
UNLESS OTHERWISE SPECIFIED		 THIRD ANGLE PROJECTION	Mi-Wave Millimeter Products Inc. 283B-381 OUTLINE
ALL SURFACES $\sqrt{32}$			
DIMENSIONS ARE IN INCHES		DRAFTING: JV	TITLE 283B-381 OUTLINE
TOLERANCES ARE:		APPROVED: M.S.	
DECIMALS: .1234 +/- .0005		DATE: 3-3-14	
.123 +/- .005		SHEET NO. 1 OF 1 SIZE A DWG NO. 25696	
.12 +/- .01			
ANGLES: +/- .5 DEGREES			
ALL THREADS TO BE 2A OR 2B			
REF DWG# 13116			