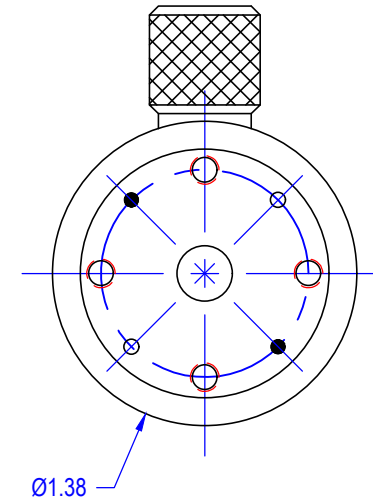
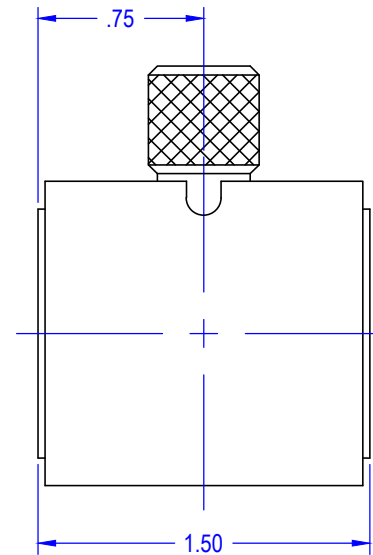
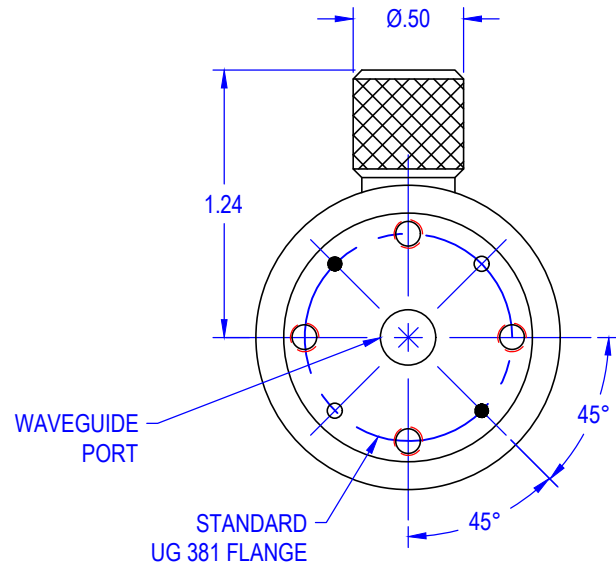


REVISIONS			
REV	DESCRIPTION	DATE	APPROVED
--	--	--	--



CIRCULAR WAVEGUIDE PORT INNER DIAMETER
0.219
0.250
0.281
0.328

QTY	PART NUMBER	OUTLINE DESCRIPTION	ITEM
--	--	OUTLINE DESCRIPTION	--
UNLESS OTHERWISE SPECIFIED		 THIRD ANGLE PROJECTION	Mi-Wave Millimeter Products Inc.
ALL SURFACES $\sqrt{32}$			
DIMENSIONS ARE IN INCHES		DRAFTING: MRN	283A-381 OUTLINE
TOLERANCES ARE:		APPROVED: M.S.	
DECIMALS: .1234 +/- .0005		DATE: 9/19/2011	
ANGLES: +/- .5 DEGREES		SHEET NO. 1 OF 1	SIZE A DWG NO. 25695
ALL THREADS TO BE 2A OR 2B			
REF DWG# 13116			